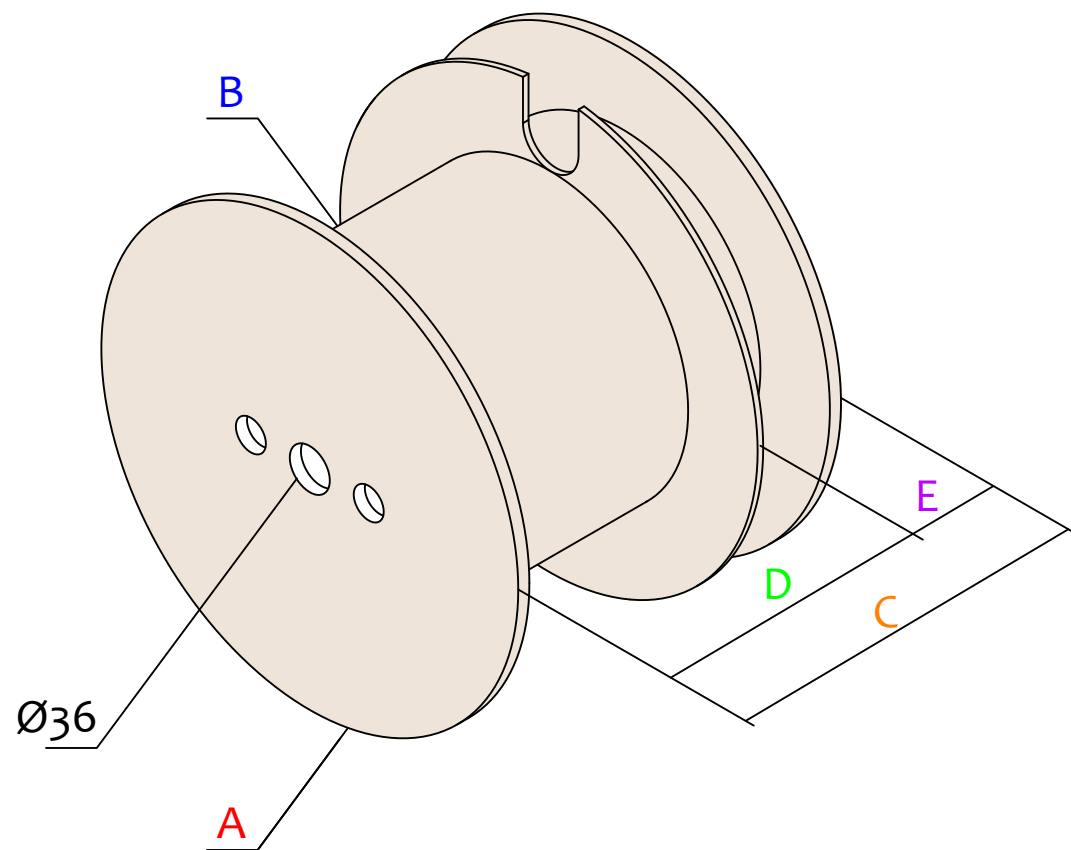
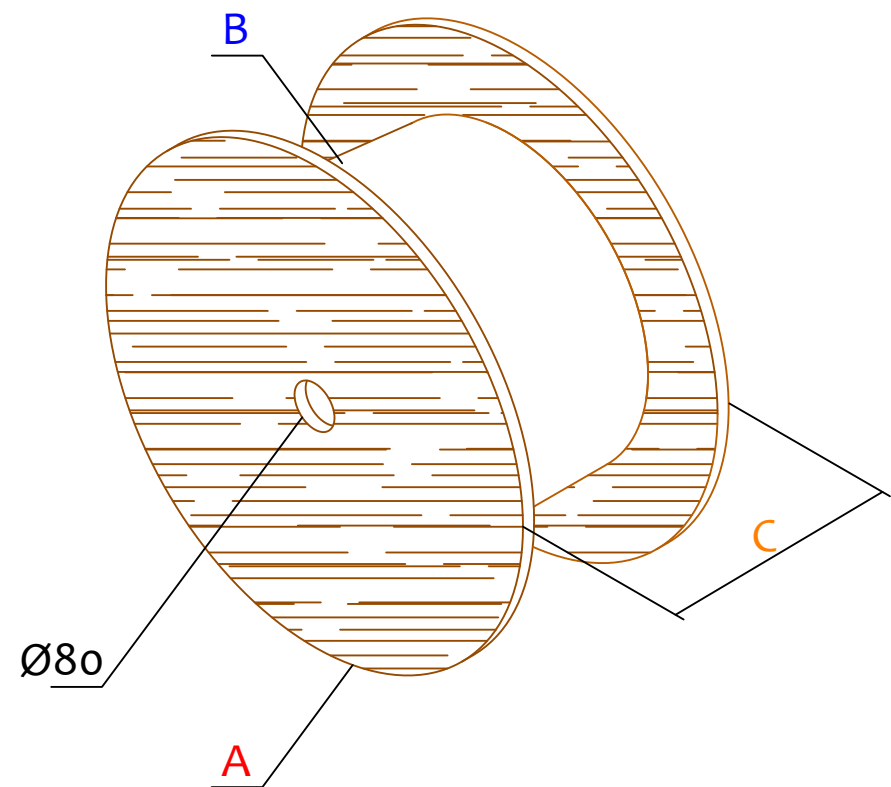


3 FLANGES REEL



2 FLANGES REEL



NOTES:

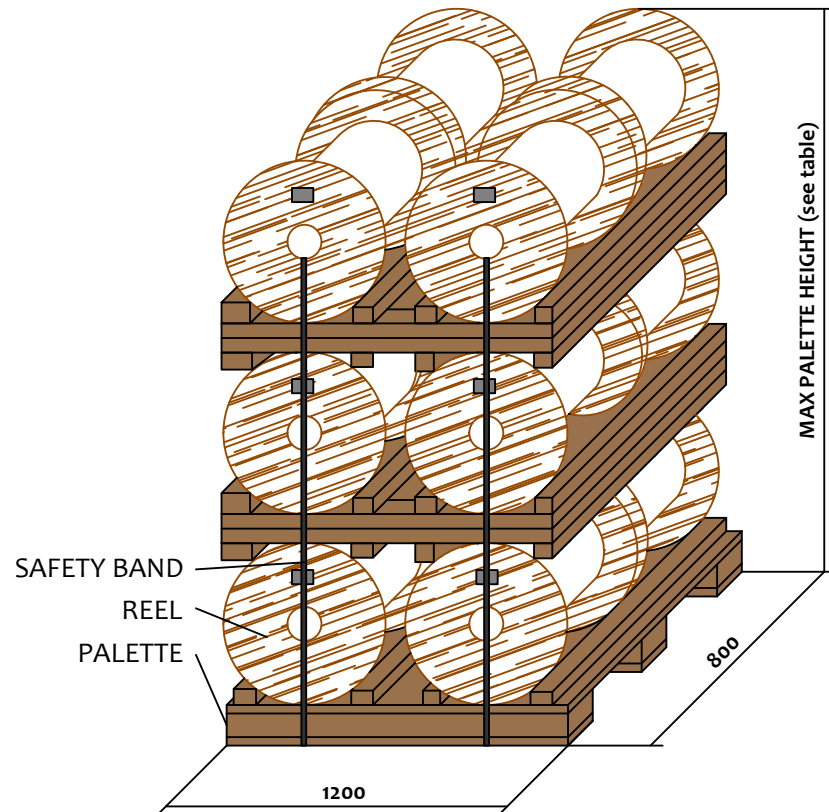
1. POP-UP AND CARTON-PLASTIC REELS ARE PACKED INTO CARTON BOX
2. WOODEN REELS ARE SHIPPED ON THE PALLETTE
3. FOR MAXIMUM COILED CABLE LENGTHS FOR EACH REEL PLEASE CONTACT SYLEX CUSTOMER SERVICE
4. POP-UP REELS DISPOSE OF A SPECIAL FEATURE OF UNFOLDING TO FLAT PACK, WHICH REDUCE THE VOLUME OF THE REEL BY 80%

	DIMENSION					FLANGES	MATERIAL
	A	B	C	D	E		
REEL POP-UP	Ø 390	Ø 200	184	100	60	3	CARDBOARD
REEL POP-UP I	Ø 390	Ø 250	253	164	65	3	
REEL POP-UP II	Ø 580	Ø 410	355	253	70	3	
REEL CARTON-PLASTIC	Ø 390	Ø 250	284	164	90	3	CARTON-PLAST
REEL - WOOD I	Ø 500	Ø 310	317	-	-	2	WOOD
REEL - WOOD II	Ø 1000	Ø 485	565	-	-	2	

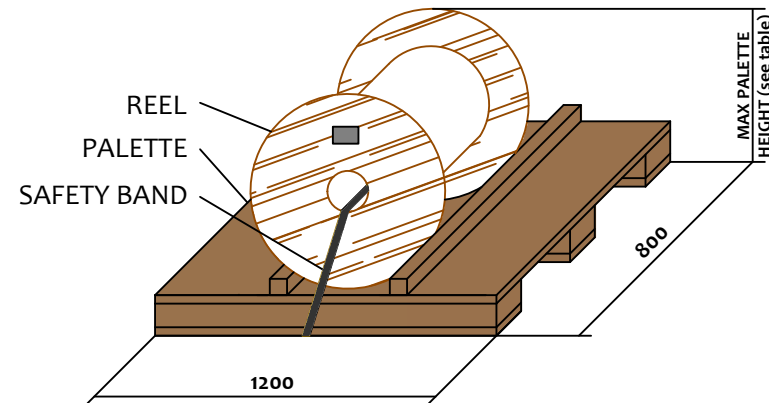
REVISION-DATE: A - 13.01.2021	CHANGE:	DRAWN BY, DATE: M.Ruzbarsky 2021/01/13	TITLE: SYLEX REEL PARAMETERS		
New drawing		CHECKED BY, DATE: L.Miskerik 2021/01/13			
REVISION-DATE:	CHANGE:	APPROVED BY, DATE: Matus/Smelh. 2021/01/13	PRODUCT SPECIFICATION: -	DIMENSIONS IN MM UNLESS SPECIFIED	SCALE: NO SCALE
REVISION-DATE:	CHANGE:	PRODUCT NUMBER: -	DRAWING NUMBER: 1-W-8277_1_A	SHEET NO. 1 of 2	
		A	THIS DRAWING CONTAINS INFORMATION THAT IS PROPRIETARY TO SYLEX s.r.o AND SHOULD NOT BE USED WITHOUT WRITTEN PERMISSION		
				SIZE A3	

PACKAGING ON PALLETE

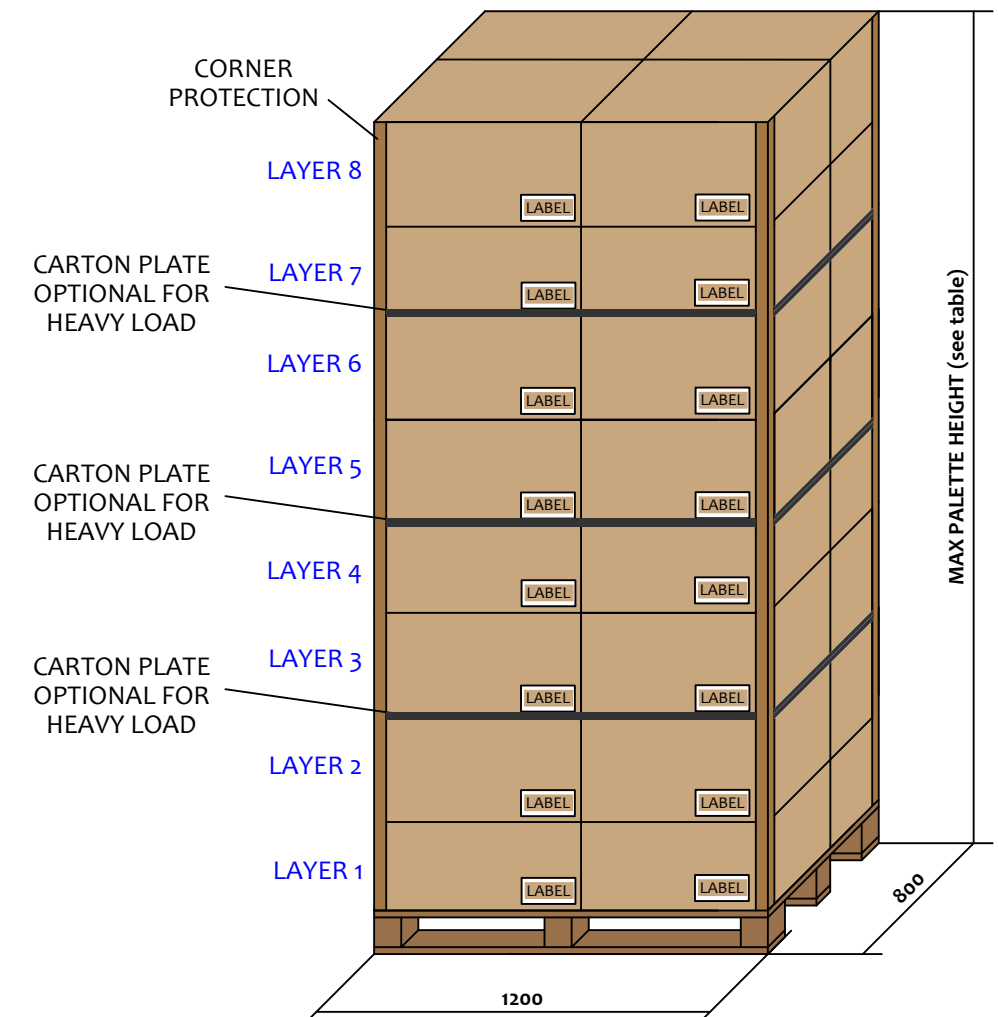
REEL - WOOD I



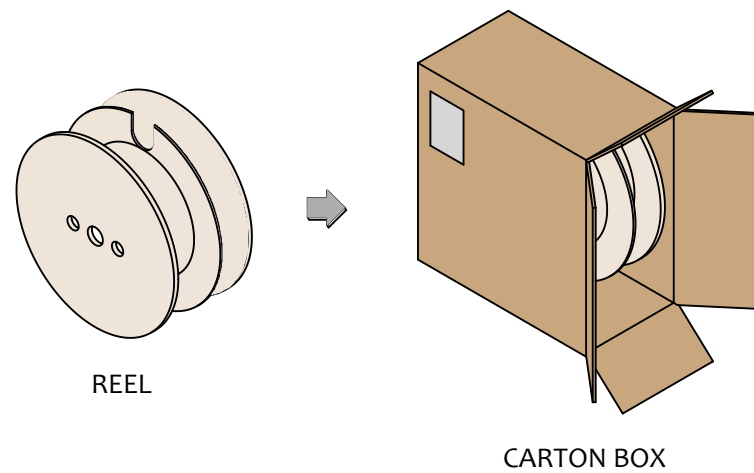
REEL - WOOD II



PALETTE



REEL POP-UP REEL CARTON-PLASTIC



	PACKAGING			
	MAX ON PALLETTE	MAX PALLETTE HEIGHT	pcs IN ONE LAYER	NUMBER OF LAYERS
REEL POP-UP	48 pcs	1900	6	8
REEL POP-UP I	36 pcs	1770	6	6
REEL POP-UP II	10 pcs	2000	2	5
REEL CARTON-PLASTIC	36 pcs	1950	6	6
REEL - WOOD I	12 pcs	1800	4	3
REEL - WOOD II	1 pcs	1200	1	1

REVISION-DATE: A - 13.01.2021	CHANGE:	DRAWN BY, DATE: M.Ruzbarsky 2021/01/13	TITLE: SYLEX REEL PARAMETERS		
New drawing		CHECKED BY, DATE: L.Miskerik 2021/01/13			
REVISION-DATE:	CHANGE:	APPROVED BY, DATE: Matus/Smelh. 2021/01/13	PRODUCT SPECIFICATION: -	DIMENSIONS IN MM UNLESS SPECIFIED	SCALE: NO SCALE
REVISION-DATE:	CHANGE:		PRODUCT NUMBER: -	DRAWING NUMBER: 1-W-8277_2_A	SHEET NO. 2 of 2
			THIS DRAWING CONTAINS INFORMATION THAT IS PROPRIETARY TO SYLEX s.r.o AND SHOULD NOT BE USED WITHOUT WRITTEN PERMISSION		
			SIZE A3		