

March 2016

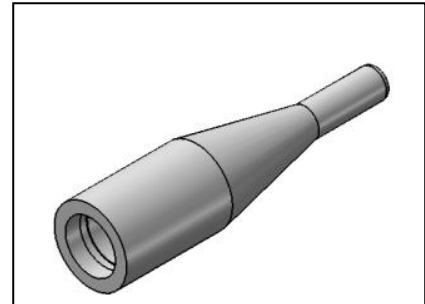
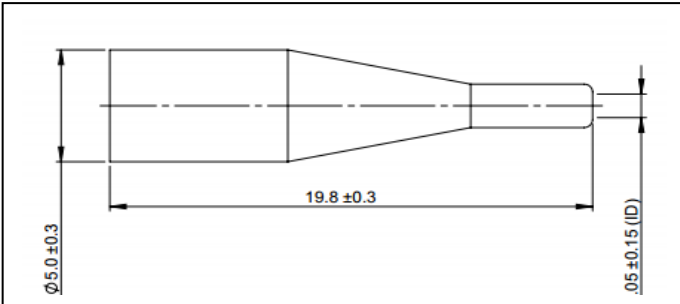
Dear Sir or Madam,

Please accept this document as a formal notification that SYLEX will be gradually replacing the current 900um boot design for SC connectors in the complete range of assemblies where these connectors are used. This change is based on the decision of our connector supplier (Senko), which coordinates the complete range of boots. The new connector boot has passed testing in accordance with Telcordia standard GR-326-CORE Generic Requirements for Singlemode Optical Connectors and Jumper Assemblies Issue 4 February 2012, section 4.4.3.5: Transmission with Applied Load.

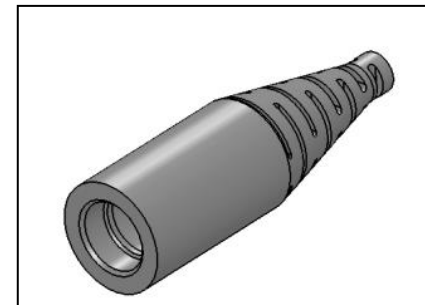
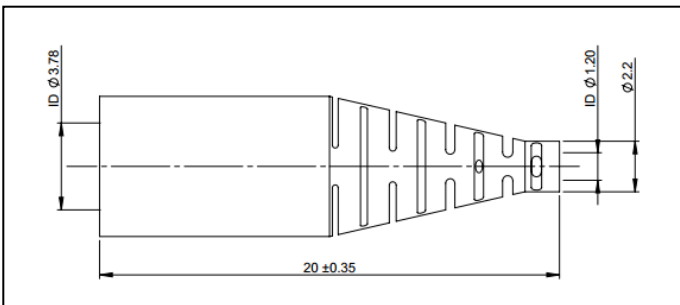
Below you will find a basic comparison of the current and new type of connector boot in terms of design and basic dimensions:

**SC connector boot 900um**

Current version



New version



Product change notification PCN-FOI-008

For detailed information, please contact your primary SYLEX representative.

This change will be implemented through a gradual roll-out, coming into effect after stocks of current connector boots are depleted.

Sincerely,

Your SYLEX team