

10

9

8

7

6

5

4

3

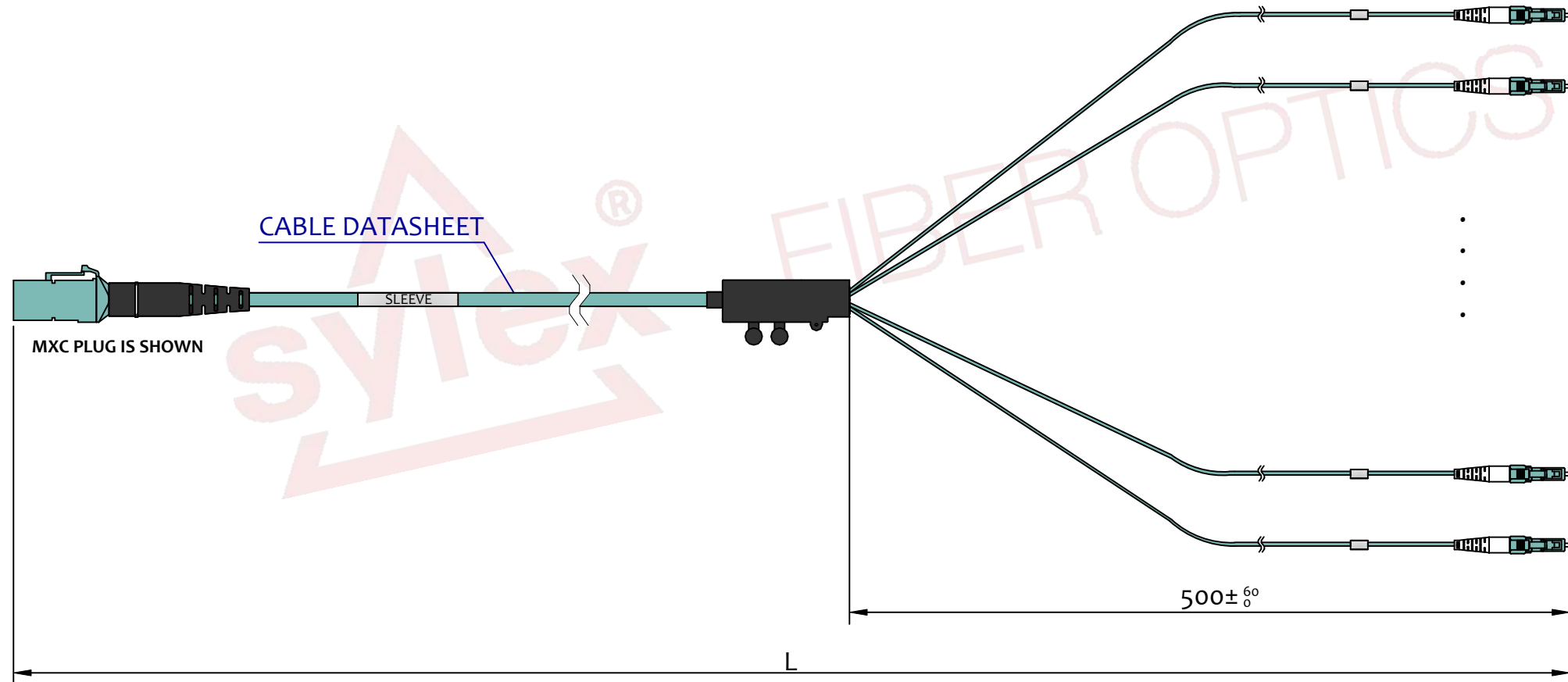
2

1

SIDE A

SIDE B

MXC	LC
1	-
2	-
3	1
4	2
5	3
6	4
7	5
8	6
9	7
10	8
11	9
12	10
13	11
14	12
15	-
16	-



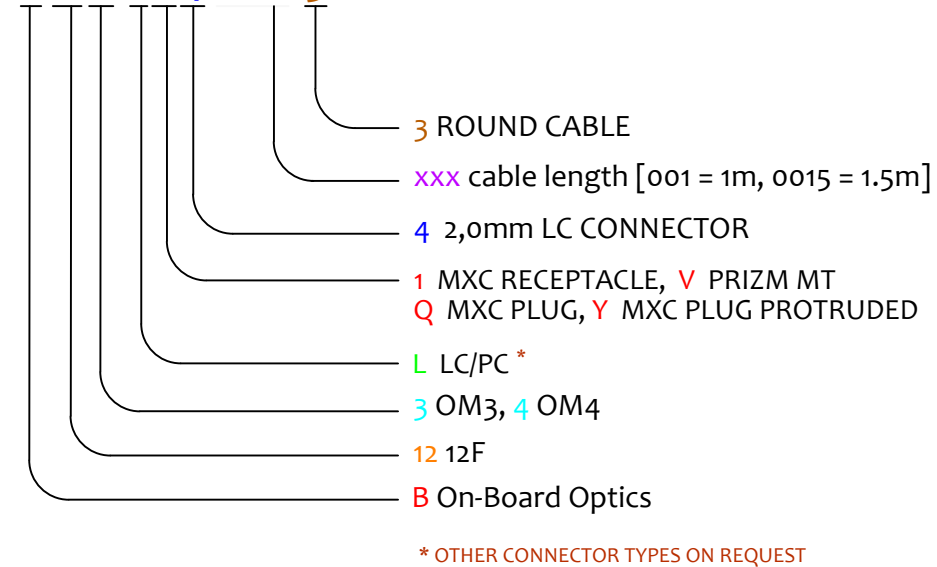
NOTES :

- 1 - DUST CAPS ARE INCLUDED, BUT NOT SHOWN
- 2 - MXC PLUG: OM3, OM4 - IL<0.6dB , RL>25dB , 850nm (CONNECTOR VALUE)  
 MXC RECEPTACLE: OM3, OM4 - IL<0.85dB , RL>23dB , 850nm (CHANNEL VALUE)  
 LC: OM3, OM4 - IL<0.25dB , RL>30dB , 850nm (CONNECTOR VALUE)  
  
 IL CONNECTOR VALUE ACCORDING IEC 61300-3-4 method B  
 IL CHANNEL VALUE ACCORDING THE IEC 61300-3-4 METHOD D  
 RL CONNECTOR VALUE ACCORDING IEC 61300-3-6
- 3 - CUMULATIVE TEST REPORT OF MEASURED IL, RL VALUES SENT ON DEMAND IN ELECTRONIC FORM
- 4 - ASSEMBLY PACKED IN SEALED PE BAG  
 BULK PACK IN OUTER CARDBOARD BOX
- 5 - TRACEBILITY LABEL ON THE CABLE CONTAINS SERIAL NUMBER AND ASSEMBLY LENGTH

ASSEMBLY LENGTH	TOLERANCE
0-1.00m	+0.08 -0.00
+1.01m	+0.11 -0.00

ORDERING CODE

B12X-LX4-xxx-3



REVISION-DATE: A - 17.03.2020	CHANGE:	DRAWN BY, DATE: M.Ruzbarsky 2020/03/17	TITLE: 01x MXC - 12x LC/PC 12F ROUND FANOUT		
New drawing		CHECKED BY, DATE: Matus/Smelh. 2020/03/17			
REVISION-DATE:	CHANGE:	APPROVED BY, DATE: L.Miskerik 2020/03/17	PRODUCT SPECIFICATION: -	DIMENSIONS IN MM UNLESS SPECIFIED	SCALE: NO SCALE
REVISION-DATE:	CHANGE:	SYLEX	PRODUCT NUMBER: B12X-LX4-xxx-3	DRAWING NUMBER: 1-W-7916_1_A	SHEET NO. 1 of 1
		A	THIS DRAWING CONTAINS INFORMATION THAT IS PROPRIETARY TO SYLEX s.r.o AND ANY USE WITHOUT PRIOR WRITTEN PERMISSION IS PROHIBITED		
					SIZE A3

10

9

8

7

6

5

4

3

2

1