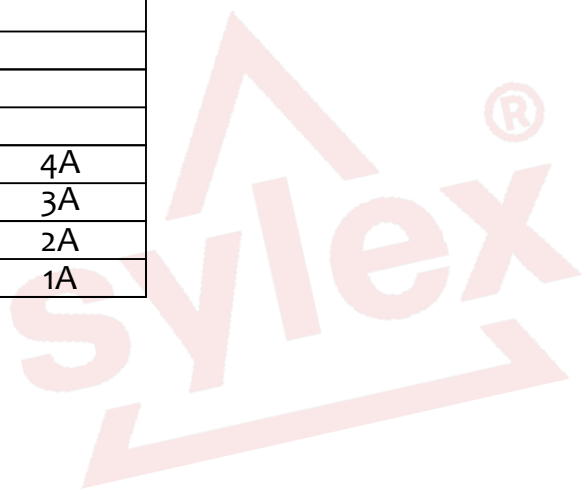
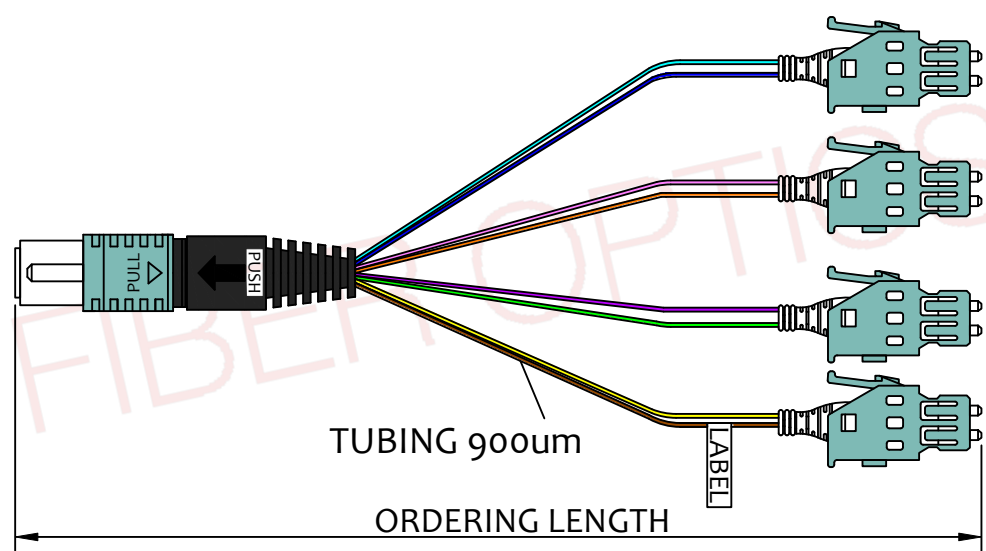
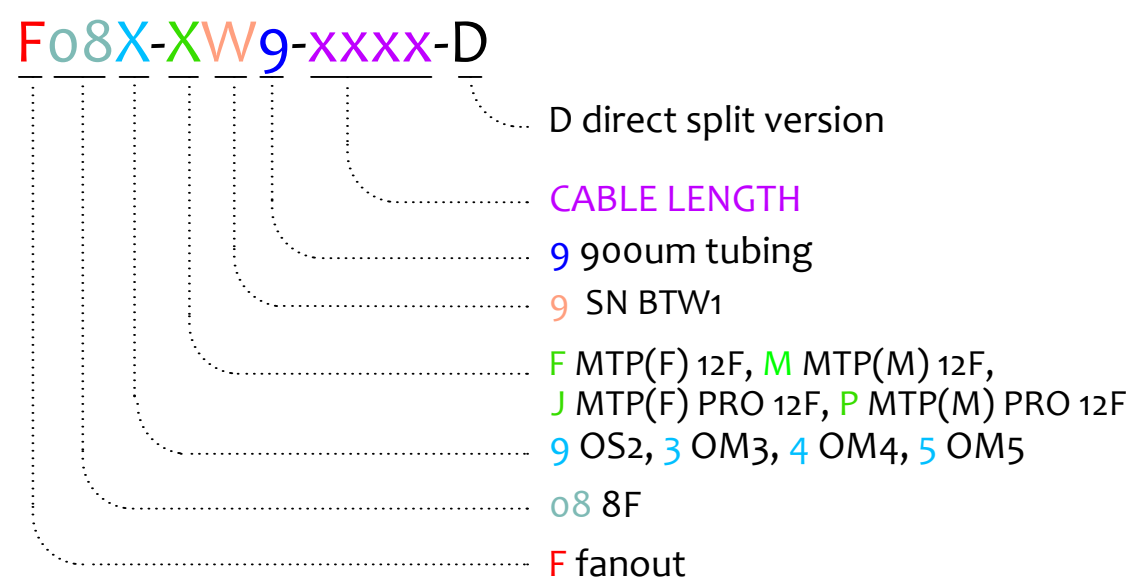


CONNECTION TABLE	
MTP	SN
1	1 LATCH
2	2 LATCH
3	3 LATCH
4	4 LATCH
5	
6	
7	
8	
9	4A
10	3A
11	2A
12	1A



ORDERING CODE



- NOTES :**
- 1 - DUST CAPS ARE INCLUDED, BUT NOT SHOWN
 - 2 - CUMULATIVE TEST REPORT OF MEASURED IL AND RL VALUES SENT ON DEMAND IN ELECTRONIC FORM
 - 3 - SN: OM3, OM4, OM5 - IL<0.25dB , RL>30dB , 850nm & 1300nm
SN: OS2 - IL<0.25dB, SN/UPC - RL>50dB, 1310nm & 1550nm

MTP: OM3, OM4, OM5 - IL<0.35dB , RL>20dB , 850nm & 1300nm
MTP: OS2 - IL<0.35dB, RL>50dB, 1310nm & 1550nm

IL CONNECTOR VALUE ACCORDING IEC 61300-3-4 method B
RL CONNECTOR VALUE ACCORDING IEC 61300-3-6
 - 4 - MTP VISUAL ASPECT CHECK ACCORDING TO IEC 61300-3-35
SN VISUAL ASPECT CHECK ACCORDING TO IEC 61300-3-35
END FACE GEOMETRY ACCORDING TO TELCORDIA GR-326 (Singlefiber connector)
END FACE GEOMETRY ACCORDING TO IEC 61755-3-31 (Multifiber connector - APC polished)
END FACE GEOMETRY ACCORDING TO IEC 63267-3-31 (Multifiber connector - FLAT polished)
 - 5 - ASSEMBLY PACKED IN SEALED PE BAG, BULK PACK IN OUTER CARDBOARD BOX.
 - 6 - TRACEBILITY LABEL ON THE CABLE CONTAINS SERIAL NUMBER, DATE OF PRODUCTION AND ASSEMBLY LENGTH

REVISION-DATE: A - 26.03.2021 CHANGE: New drawing	DRAWN BY, DATE: M.Ruzbarsky 2021/03/26	TITLE: 8f MTP - SN Direct Split		
REVISION-DATE: CHANGE:	CHECKED BY, DATE: L.Miskerik	PRODUCT SPECIFICATION: -	DIMENSIONS IN MM UNLESS SPECIFIED	SCALE: NO SCALE
REVISION-DATE: CHANGE:	APPROVED BY, DATE: Matus/Smelh.	PRODUCT NUMBER: FXXX-XXX-xxxx-D	DRAWING NUMBER: 1-W-8382_1_A	SHEET NO. 1 of 1
REVISION-DATE: CHANGE:		THIS DRAWING CONTAINS INFORMATION THAT IS PROPRIETARY TO SYLEX s.r.o AND ANY USE WITHOUT PRIOR WRITTEN PERMISSION IS PROHIBITED		
	A	SIZE A3		