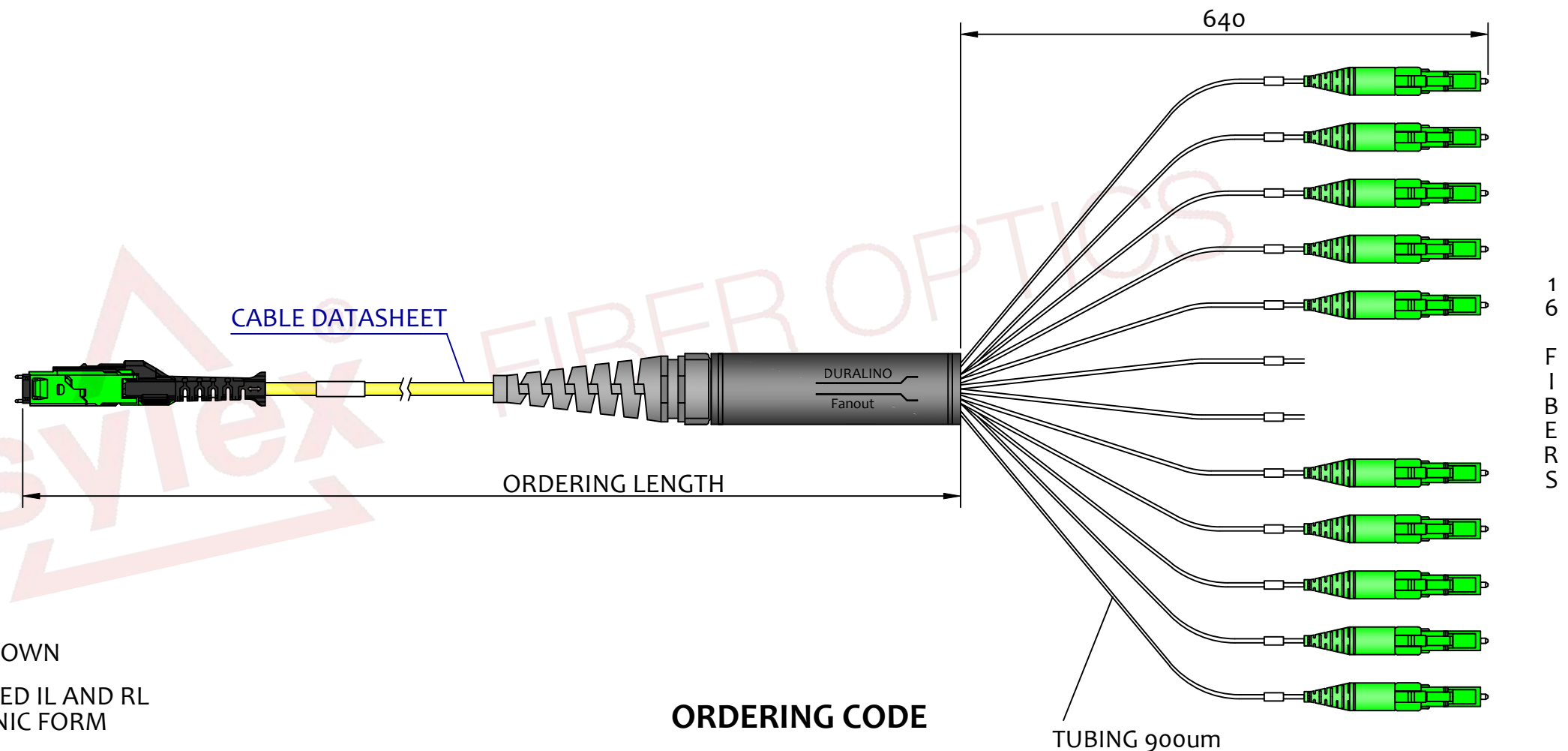


FOR SIMPLEX FANOUT PLEASE SEE NEXT PAGE



NOTES :

- 1 - DUST CAPS ARE INCLUDED, BUT NOT SHOWN
- 2 - CUMULATIVE TEST REPORT OF MEASURED IL AND RL VALUES SENT ON DEMAND IN ELECTRONIC FORM
- 3 - LC: OM3, OM4 - IL<0.25dB , RL>30dB , 850nm & 1300nm
 LC: OS2 - IL<0.25dB, LC/APC - RL>60dB, 1310nm & 1550nm
 LC/UPC - RL>50dB, 1310nm & 1550nm
 MMC: OM3, OM4 - IL<0.35dB , RL>20dB , 850nm & 1300nm
 MMC: OS2 - IL<0.35dB, RL>60dB, 1310nm & 1550nm

 IL CONNECTOR VALUE ACCORDING IEC 61300-3-4 method D
 RL CONNECTOR VALUE ACCORDING IEC 61300-3-6
- 4 - VISUAL ASPECT CHECK ACCORDING TO IEC 61300-3-35
 END FACE GEOMETRY ACCORDING TO TELCORDIA GR-326 (Singlefiber connector)
 END FACE GEOMETRY ACCORDING TO IEC 61755-3-31 (Multifiber connector)
- 5 - LC CONNECTORS BUNDLED AND WRAPPED IN BUBBLE FOIL SLEEVE
- 6 - ASSEMBLY WITH LENGTH BELOW 50MTRS PACKED IN SEALED PE BAG,
 BULK PACK IN OUTER CARDBOARD BOX.
 LONGER ASSEMBLY THEN 50MTRS COILED ON CARDBOARD REEL,
 INSERTED IN CARDBOARD BOX ACCORDING TO SYLEX STANDARD [1-S-0011](#)
- 7 - CABLE LENGTH TOLERANCES AND FANOUT LENGTH TOLERANCES
 ACCORDING TO SYLEX STANDARD [1-S-8000](#)
- 8 - NO PULLING SYSTEM IS APPLIED
- 9 - TRACEBILITY LABEL ON THE CABLE CONTAINS SERIAL NUMBER,
 DATE OF PRODUCTION AND ASSEMBLY LENGTH

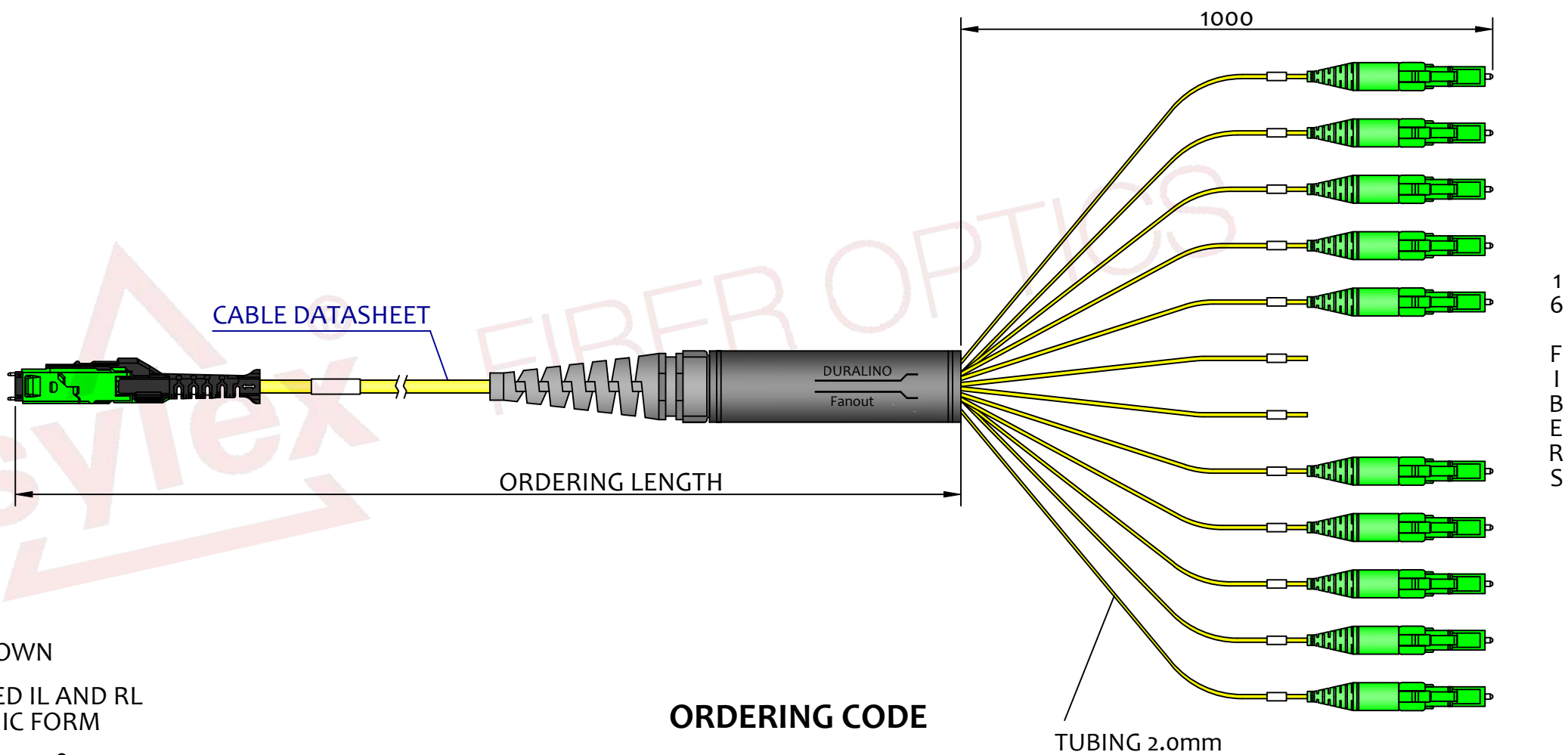
ORDERING CODE

V16X-XXX-XXX

- xxx cable length [050 = 50m, 001 = 1m]
- 9 - 900um TUBING
- I LC 900um, J LC/APC 900um*
- A MMC/APC Female 16F, B MMC/APC Male 16F
- 9 OS2, 3 OM3, 4 OM4
- 16 16F
- V MMC fanout, K MMC fanout with grommet**

* OTHER CONNECTOR TYPES ON REQUEST
 ** SHOWN FANOUT VERSION WITH GROMMET [K]

REVISION-DATE: A - 07.03.2024	CHANGE:	DRAWN BY, DATE: M.Ruzbarsky 07.03.2024	TITLE: 16f 1xMMC-LC Duralino fanout – 900um		
New drawing		CHECKED BY, DATE: M.Bombarova			
REVISION-DATE:	CHANGE:	APPROVED BY, DATE: Matus/Smelh.	PRODUCT SPECIFICATION: QPN - 000	DIMENSIONS IN MM UNLESS SPECIFIED	SCALE: NO SCALE
REVISION-DATE: X - DD.MM.YYYY	CHANGE:	PRODUCT NUMBER: XXXX-XXX-xxx	DRAWING NUMBER: 1-W-9947_1_A	SHEET NO. 1 of 2	
A			THIS DRAWING CONTAINS INFORMATION THAT IS PROPRIETARY TO SYLEX s.r.o AND ANY USE WITHOUT PRIOR WRITTEN PERMISSION IS PROHIBITED		
			SIZE A3		



NOTES :

- 1 - DUST CAPS ARE INCLUDED, BUT NOT SHOWN
- 2 - CUMULATIVE TEST REPORT OF MEASURED IL AND RL VALUES SENT ON DEMAND IN ELECTRONIC FORM
- 3 - LC: OM3, OM4 - IL<0.25dB , RL>30dB , 850nm & 1300nm
 LC: OS2 - IL<0.25dB, LC/APC - RL>60dB, 1310nm & 1550nm
 LC/UPC - RL>50dB, 1310nm & 1550nm
 MMC: OM3, OM4 - IL<0.35dB , RL>20dB , 850nm & 1300nm
 MMC: OS2 - IL<0.35dB, RL>60dB, 1310nm & 1550nm
 IL CONNECTOR VALUE ACCORDING IEC 61300-3-4 method D
 RL CONNECTOR VALUE ACCORDING IEC 61300-3-6
- 4 - VISUAL ASPECT CHECK ACCORDING TO IEC 61300-3-35
 END FACE GEOMETRY ACCORDING TO TELCORDIA GR-326 (Singlefiber connector)
 END FACE GEOMETRY ACCORDING TO IEC 61755-3-31 (Multifiber connector)
- 5 - LC CONNECTORS BUNDLED AND WRAPPED IN BUBBLE FOIL SLEEVE
- 6 - ASSEMBLY WITH LENGTH BELOW 50MTRS PACKED IN SEALED PE BAG,
 BULK PACK IN OUTER CARDBOARD BOX.
 LONGER ASSEMBLY THEN 50MTRS COILED ON CARDBOARD REEL,
 INSERTED IN CARDBOARD BOX ACCORDING TO SYLEX STANDARD [1-S-0011](#)
- 7 - CABLE LENGTH TOLERANCES AND FANOUT LENGTH TOLERANCES
 ACCORDING TO SYLEX STANDARD [1-S-8000](#)
- 8 - NO PULLING SYSTEM IS APPLIED
- 9 - TRACEBILITY LABEL ON THE CABLE CONTAINS SERIAL NUMBER,
 DATE OF PRODUCTION AND ASSEMBLY LENGTH

ORDERING CODE

V16X-XXX-XXX

- xxx cable length [050 = 50m, 001 = 1m]
- S - 2.0mm TUBING
- C LC/PC , D LC/APC *
- A MMC/APC Female 16F, B MMC/APC Male 16F
- 9 OS2, 3 OM3, 4 OM4
- 16 16F
- V MMC fanout, K MMC fanout with grommet **

* OTHER CONNECTOR TYPES ON REQUEST
 ** SHOWN FANOUT VERSION WITH GROMMET [K]

REVISION-DATE: A - 07.03.2024	CHANGE:	DRAWN BY, DATE: M.Ruzbarsky 07.03.2024	TITLE: 16f 1xMMC-LC Duralino fanout – simplex		
New drawing		CHECKED BY, DATE: M.Bombarova			
REVISION-DATE:	CHANGE:	APPROVED BY, DATE: Matus/Smelh.	PRODUCT SPECIFICATION: QPN - 000	DIMENSIONS IN MM UNLESS SPECIFIED	SCALE: NO SCALE
REVISION-DATE: X - DD.MM.YYYY	CHANGE:	PRODUCT NUMBER: XXXX-XXX-xxx	DRAWING NUMBER: 1-W-9947_2_A	SHEET NO. 2 of 2	
			THIS DRAWING CONTAINS INFORMATION THAT IS PROPRIETARY TO SYLEX s.r.o AND ANY USE WITHOUT PRIOR WRITTEN PERMISSION IS PROHIBITED		
A			SIZE A3		