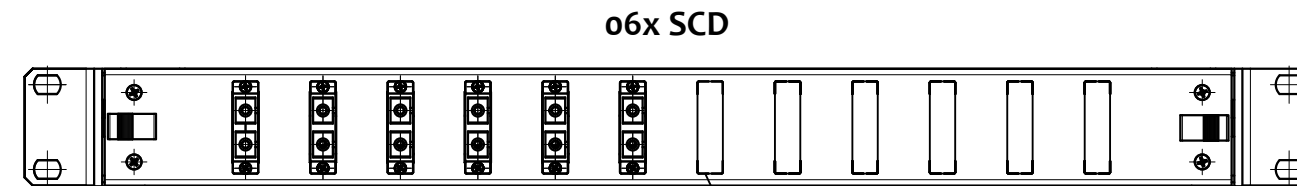
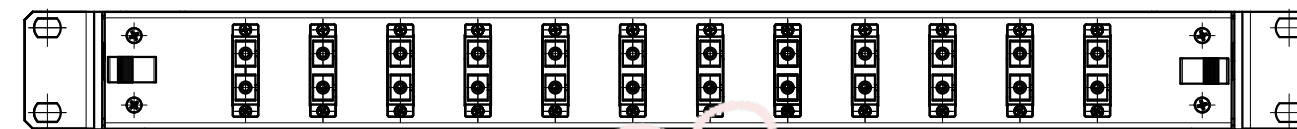


ODF BOX
ISOMETRIC VIEW

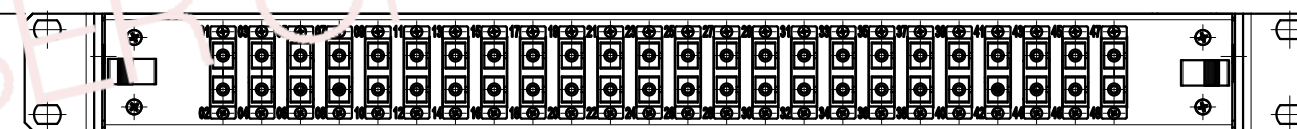


06x SCD

DUST CAP



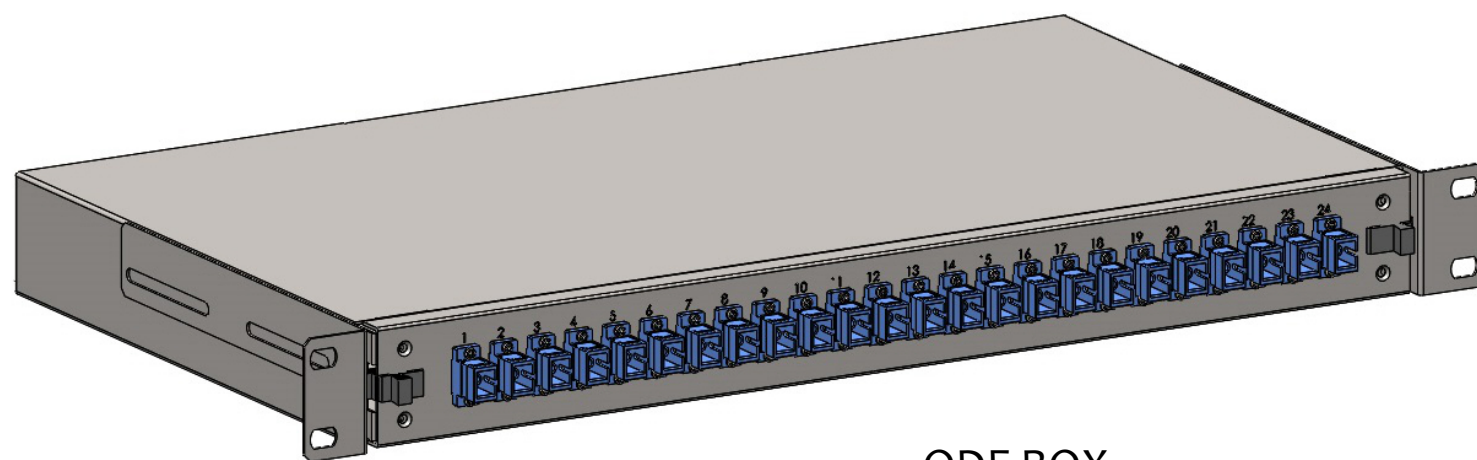
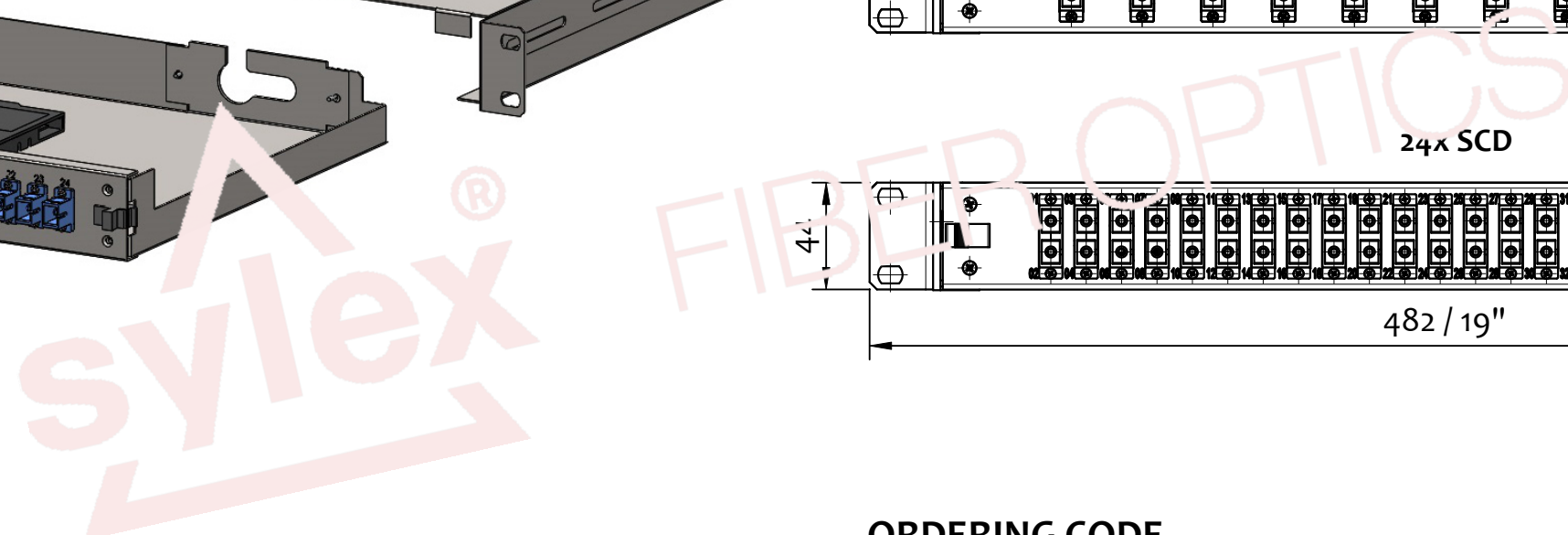
12x SCD



24x SCD

42

482 / 19"



ODF BOX
ISOMETRIC VIEW

ORDERING CODE

OXXX-SXX-XXX

- GRY grey body, BLK black body
 - 1 SX adapter, 2 DX adapter
 - S SC/UPC, B SC/APC [PIGTAILS] *
 - S SC [ADAPTERS] *
 - 9 OS2, 4 OM4
 - 12 12F, 24 24F, 48 48F, 72 72F, 96 96F, AA 144F, AB 192F
 - O ODF
- * OTHER TYPES ON REQUEST

REVISION-DATE: A - 24.10.2019 CHANGE: New drawing	DRAWN BY, DATE: M.Ruzbrsky 2019/10/24	TITLE: SC PATCHPANEL 1U FULLY LOADED		
REVISION-DATE: CHANGE:	CHECKED BY, DATE: Pavlov/Matúš 2019/10/24	APPROVED BY, DATE: I.Brestovanská 2019/10/24	PRODUCT SPECIFICATION: -	DIMENSIONS IN MM UNLESS SPECIFIED
REVISION-DATE: X - DD.MM.YYYY CHANGE:	PRODUCT NUMBER: AXXX-XXX-XXX	DRAWING NUMBER: 1-S-7398_1_A	SCALE: NO SCALE	
	THIS DRAWING CONTAINS INFORMATION THAT IS PROPRIETARY TO SYLEX s.r.o AND ANY USE WITHOUT PRIOR WRITTEN PERMISSION IS PROHIBITED			SHEET NO. 1 of 1 SIZE A3