

F

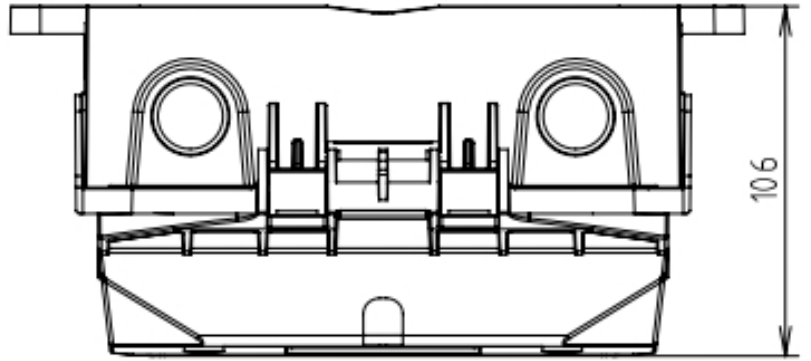
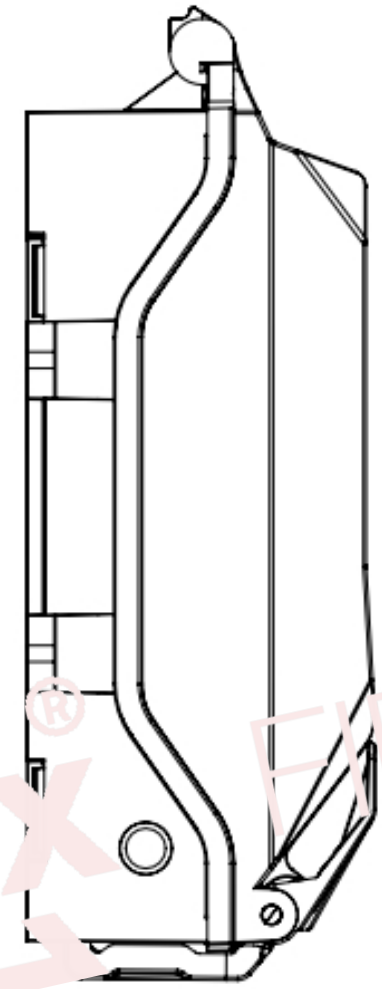
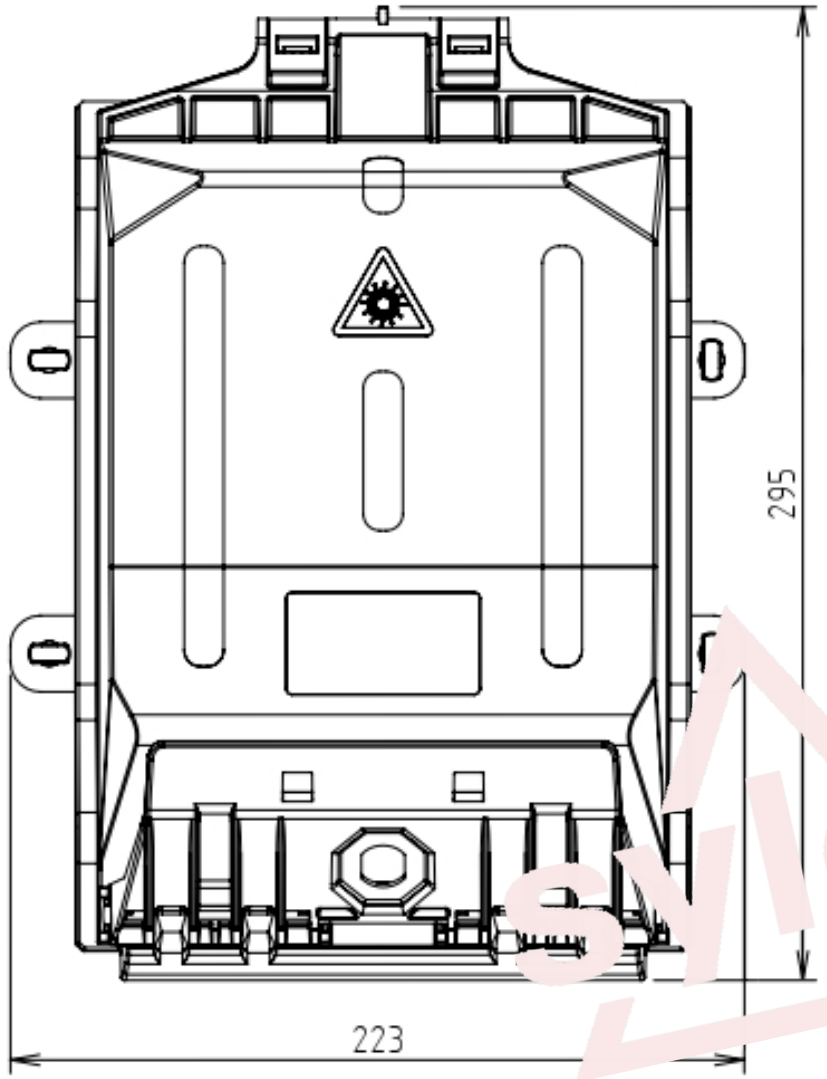
E

D


C

B

A



Sylex FIBER OPTICS

REVISION-DATE: A - 31.05.2022	CHANGE:	DRAWN BY, DATE: M.Ruzbarsky 2022/05/31	TITLE: FTTA distribution box M (24F)		
New drawing		CHECKED BY, DATE: L.Miskerik	PRODUCT SPECIFICATION: -	DIMENSIONS IN MM UNLESS SPECIFIED	SCALE: NO SCALE
REVISION-DATE:	CHANGE:	APPROVED BY, DATE: Matus/Smelh.	PRODUCT NUMBER: 5MXB-LX2-XXX	DRAWING NUMBER: 1-W-8971_1_A	SHEET NO. 1 of 1
REVISION-DATE:	CHANGE:		THIS DRAWING CONTAINS INFORMATION THAT IS PROPRIETARY TO SYLEX s.r.o AND SHOULD NOT BE USED WITHOUT WRITTEN PERMISSION		
		A	SIZE A3		