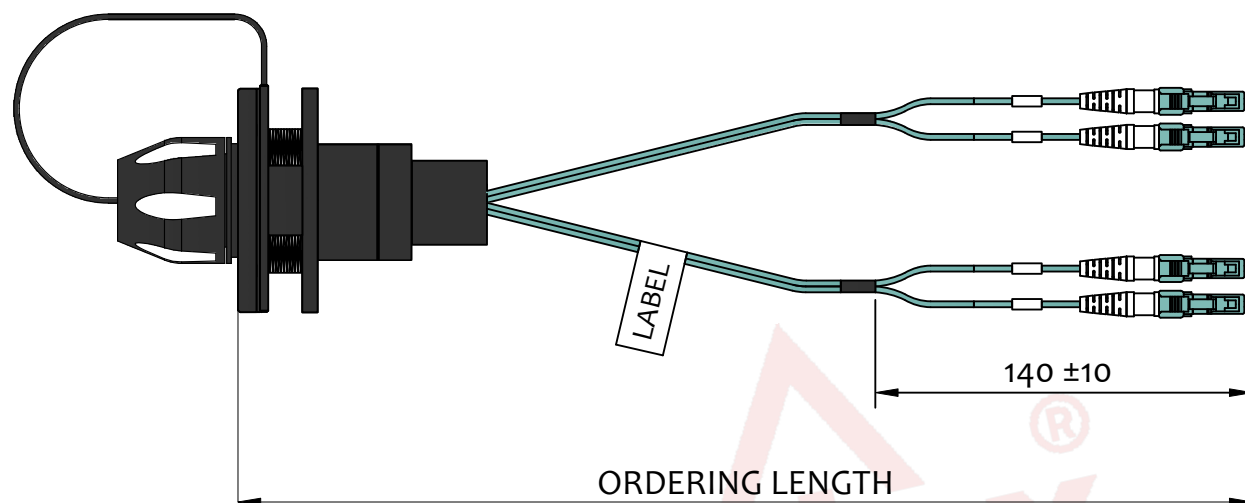
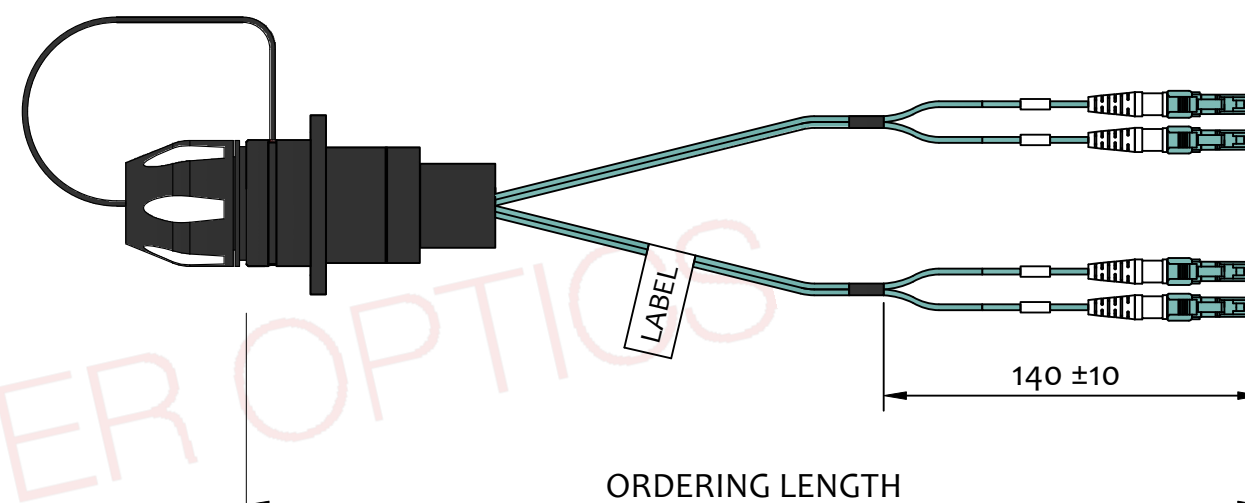


Junior Expanded Beam Jam Nut



Junior Expanded Beam Square Flange



ORDERING CODE

RXXX-66A-xxx

xxx cable length [050 = 50m, 001 = 1m]

9 0.9mm, 3 3.0mm

L LC/PC, A LC/APC

4 PRO BEAM Jr. Square Flange, 5 PRO BEAM Jr. Jam Nut

9 OS2, 1 OM1, 3 OM3, 4 OM4

02 02F, 04 04F

R MIL/DEF PRODUCT

NOTES :

- CUMULATIVE TEST REPORT OF MEASURED IL AND RL VALUES SENT ON DEMAND IN ELECTRONIC FORM
- HMA: OM1, OM3, OM4 - IL<1.5dB, RL>20dB, 850nm & 1300nm
HMA: OS2 - IL<1.0dB, RL>32dB, 1310nm & 1550nm
LC: OM3, OM4, OM5 - IL<0.25dB, RL>30dB, 850nm & 1300nm
LC: OS2 - IL<0.25dB, LC/APC - RL>60dB, 1310nm & 1550nm
LC/UPC - RL>50dB, 1310nm & 1550nm
IL CONNECTOR VALUE ACCORDING IEC 61300-3-4 method B (LC)
RL CONNECTOR VALUE ACCORDING IEC 61300-3-6 (LC)
- VISUAL ASPECT (INNER FERRULE) CHECK ACCORDING TO IEC 61300-3-35.
END FACE GEOMETRY (INNER FERRULE) ACCORDING TO TELCORDIA GR-326
- ASSEMBLY PACKED IN SEALED PE BAG.
- CABLE LENGTH TOLERANCES ACCORDING TO SYLEX STANDARD [1-S-8000](#)
- TRACEBILITY LABEL ON THE CABLE CONTAINS SERIAL NUMBER, DATE OF PRODUCTION AND ASSEMBLY LENGTH

REVISION-DATE: A - 27.10.2022	CHANGE:	DRAWN BY, DATE: J.Špilár 2022/10/27	TITLE: 02/04f PRO BEAM Jr. Jam Nut / Square Flange - LC		
NEW DRAWING		CHECKED BY, DATE: L.Miskerik 2022/10/27			
REVISION-DATE:	CHANGE:	APPROVED BY, DATE: Matus/Smelh. 2022/10/27	PRODUCT SPECIFICATION: -	DIMENSIONS IN MM UNLESS SPECIFIED	SCALE: NO SCALE
REVISION-DATE:	CHANGE:	PRODUCT NUMBER: RXXX-XXX-xxx	DRAWING NUMBER: -	SHEET NO. 1 of 1	
		A	THIS DRAWING CONTAINS INFORMATION THAT IS PROPRIETARY TO SYLEX s.r.o AND ANY USE WITHOUT PRIOR WRITTEN PERMISSION IS PROHIBITED		
				SIZE A3	