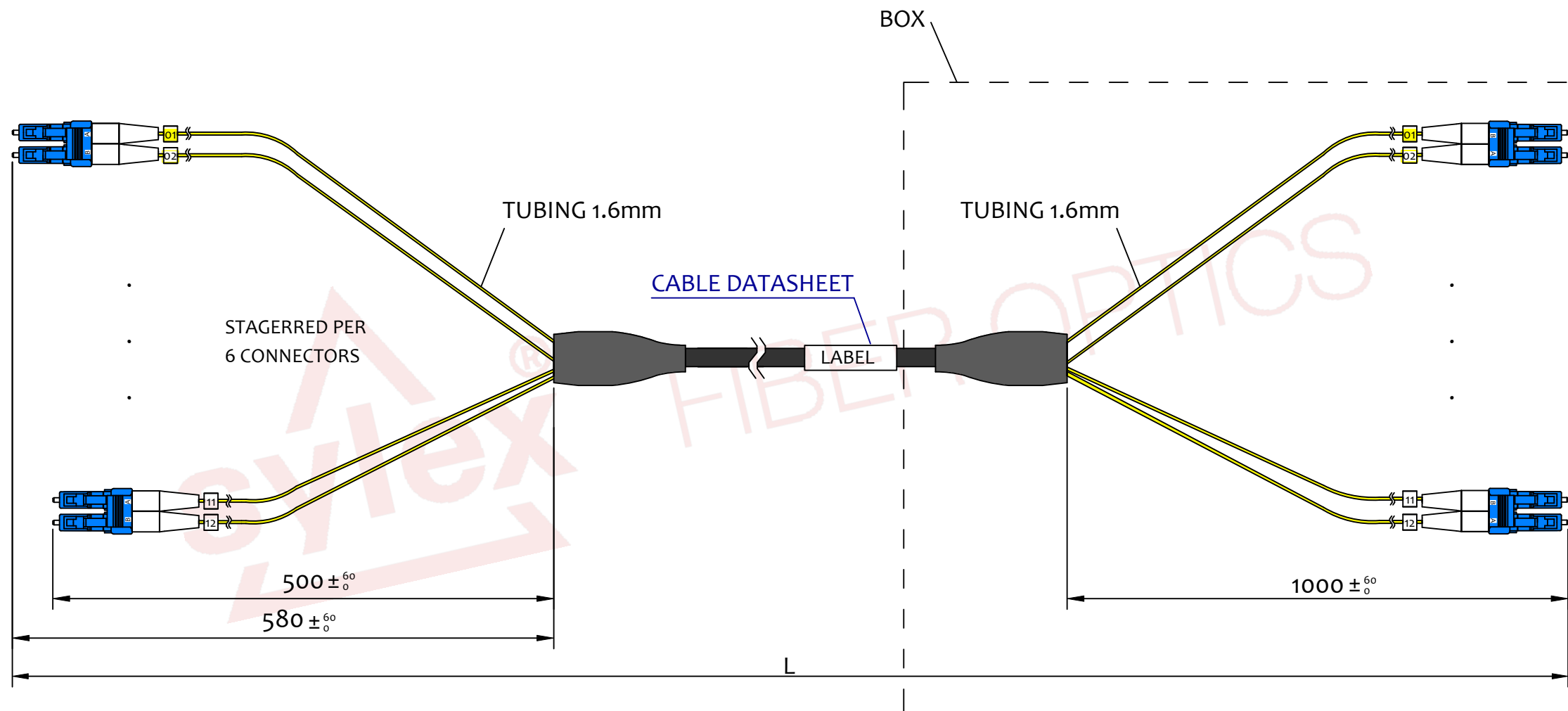


A

B

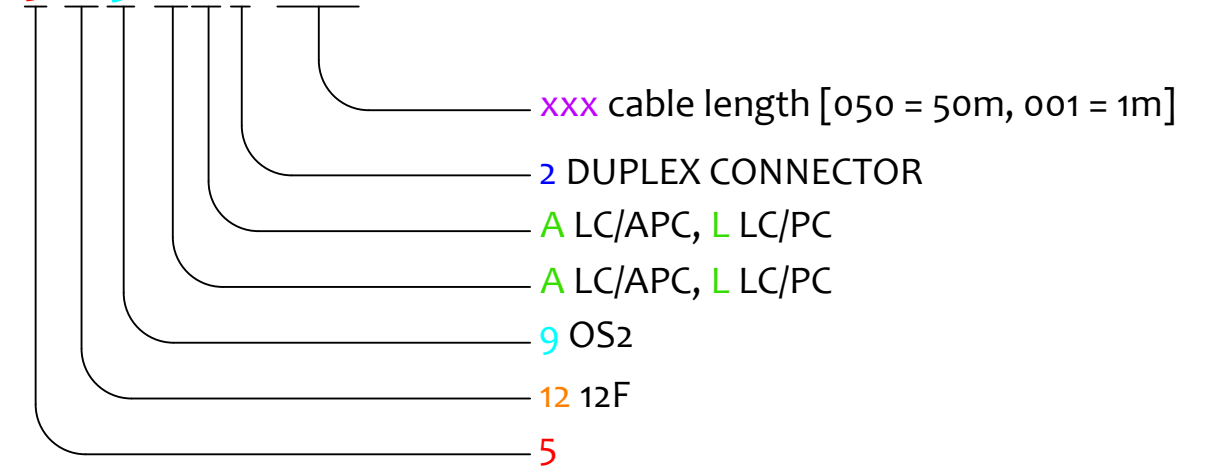


NOTES :

- 1 - DUST CAPS ARE INCLUDED, BUT NOT SHOWN
- 2 - CUMULATIVE TEST REPORT OF MEASURED IL AND RL VALUES SENT ON DEMAND IN ELECTRONIC FORM
- 3 - IL<0.25dB, LC/UPC - RL>50dB, LC/APC - RL>60dB, 1310nm & 1550nm  
IL CONNECTOR VALUE ACCORDING IEC 61300-3-4 method B  
RL CONNECTOR VALUE ACCORDING IEC 61300-3-6
- 4 - VISUAL ASPECT CHECK ACCORDING TO IEC 61300-3-35.  
END FACE GEOMETRY ACCORDING TO TELCORDIA GR-326
- 5 - ASSEMBLY WITH LENGTH BELOW 50MTRS PACKED IN SEALED PE BAG,  
BULK PACK IN OUTER CARDBOARD BOX.  
LONGER ASSEMBLY THEN 50MTRS COILED ON CARDBOARD REEL,  
INSERTED IN CARDBOARD BOX ACCORDING TO SYLEX STANDARD [1-S-0011](#)
- 6 - CABLE LENGTH TOLERANCES AND FANOUT LENGTH TOLERANCES  
ACCORDING TO SYLEX STANDARD [1-S-8000](#)
- 7 - TRACEABILITY LABEL ON THE CABLE CONTAINS SERIAL NUMBER,  
DATE OF PRODUCTION AND ASSEMBLY LENGTH

ORDERING CODE

5129-XX2-XXX



REVISION-DATE: A - 24.03.2022	CHANGE:	DRAWN BY, DATE: M.Ruzbarsky 2022/03/24	TITLE: 06x LCD/UPC - 06x LCD/UPC 12F OS2 PRETERM (for FTTA)		
New drawing		CHECKED BY, DATE: L.Miskerik	PRODUCT SPECIFICATION: -	DIMENSIONS IN MM UNLESS SPECIFIED	SCALE: NO SCALE
REVISION-DATE:	CHANGE:	APPROVED BY, DATE: Matus/Smelh.	PRODUCT NUMBER: 5129-xx2-xxx	DRAWING NUMBER: 1-W-8968_1_A	SHEET NO. 1 of 1
REVISION-DATE:	CHANGE:		THIS DRAWING CONTAINS INFORMATION THAT IS PROPRIETARY TO SYLEX s.r.o AND SHOULD NOT BE USED WITHOUT WRITTEN PERMISSION		
		A	SIZE A3		

A

A