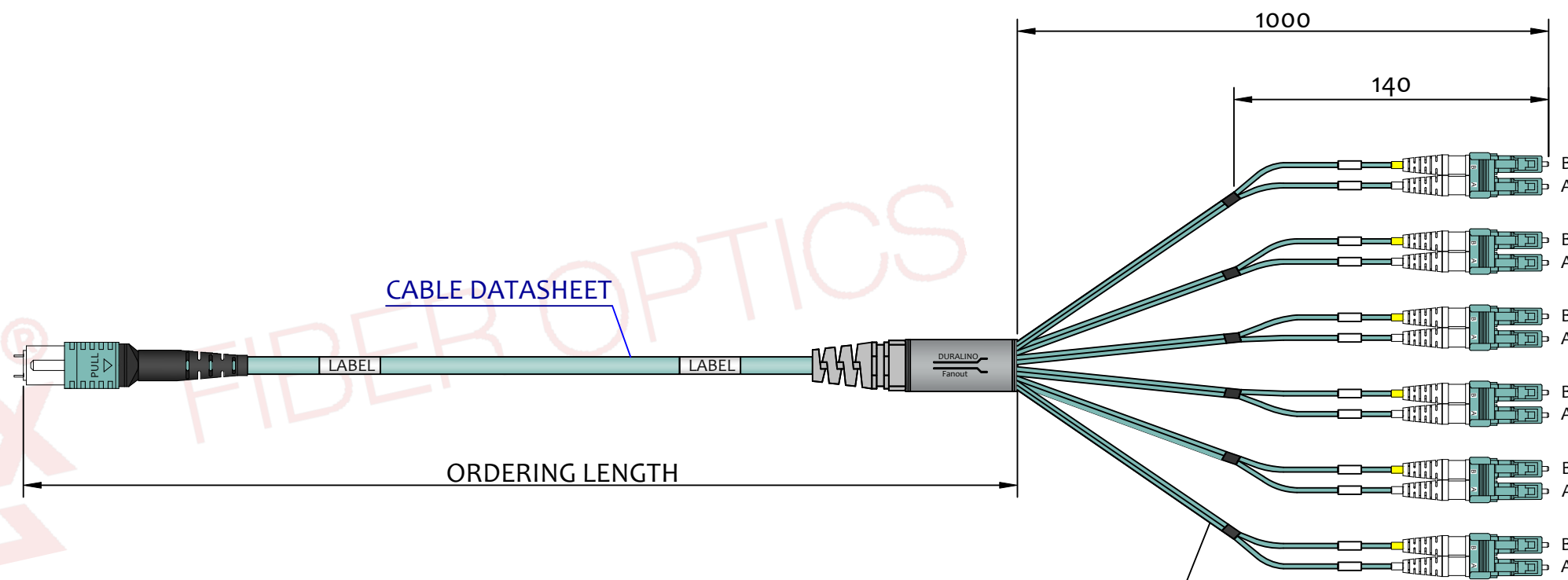


CROSS CONNECTION

STRAIGHT CONNECTION

CONNECTION TABLE	
MTP	LC
1	1B
2	1A
3	2B
4	2A
5	3B
6	3A
7	4B
8	4A
9	5B
10	5A
11	6B
12	6A

CONNECTION TABLE	
MTP	LC
1	1A
2	1B
3	2A
4	2B
5	3A
6	3B
7	4A
8	4B
9	5A
10	5B
11	6A
12	6B



CABLE DATASHEET

ORDERING LENGTH

DUPLEX TUBING 2.0mm

NOTES :

- DUST CAPS ARE INCLUDED, BUT NOT SHOWN
- CUMULATIVE TEST REPORT OF MEASURED IL AND RL VALUES SENT ON DEMAND IN ELECTRONIC FORM
- LC: OM3, OM4, OM5 - IL<0.25dB , RL>30dB , 850nm & 1300nm  
LC: OS2 - IL<0.25dB, LC/APC - RL>60dB, 1310nm & 1550nm  
LC/UPC - RL>50dB, 1310nm & 1550nm  
MTP: OM3, OM4, OM5 - IL<0.35dB , RL>20dB , 850nm & 1300nm  
MTP: OS2 - IL<0.35dB, RL>50dB, 1310nm & 1550nm  
  
IL CONNECTOR VALUE ACCORDING IEC 61300-3-4 method B  
RL CONNECTOR VALUE ACCORDING IEC 61300-3-6
- VISUAL ASPECT CHECK ACCORDING TO IEC 61300-3-35  
END FACE GEOMETRY ACCORDING TO TELCORDIA GR-326 (Singlefiber connector)  
END FACE GEOMETRY ACCORDING TO IEC 61755-3-31 (Multifiber connector - APC polished)  
END FACE GEOMETRY ACCORDING TO IEC 63267-3-31 (Multifiber connector - FLAT polished)
- ASSEMBLY WITH LENGTH BELOW 50MTRS PACKED IN SEALED PE BAG, BULK PACK IN OUTER CARDBOARD BOX. LONGER ASSEMBLY THEN 50MTRS COILED ON CARDBOARD REEL, INSERTED IN CARDBOARD BOX ACCORDING TO SYLEX STANDARD [1-S-0011](#)
- CABLE LENGTH TOLERANCES AND FANOUT LENGTH TOLERANCES ACCORDING TO SYLEX STANDARD [1-S-8000](#)
- NO PULLING SYSTEM IS APPLIED
- TRACEBILITY LABEL ON THE CABLE CONTAINS SERIAL NUMBER, DATE OF PRODUCTION AND ASSEMBLY LENGTH

ORDERING CODE

X12X-XXD-xxx-X

- S - straight connection, C - cross connection
  - xxx cable length [050 = 50m, 001 = 1m]
  - D duplex tubing
  - A LC/APC, L LC/PC \*
  - F MTP(F) 12F, M MTP(M) 12F, J MTP(F) PRO 12F, P MTP(M) PRO 12F
  - 9 OS2, 3 OM3, 4 OM4, 5 OM5
  - 12 12F
  - F fanout, H fanout with grommet \*\*
- \* OTHER CONNECTOR TYPES ON REQUEST  
\*\* SHOWN TRUNK VERSION WITH GROMMET [H]

REVISION-DATE: A - 04.06.2019	CHANGE:	DRAWN BY, DATE: M.Ruzbarsky 2019/06/04	TITLE: 12f 1xMTP-LC Duralino fanout – duplex		
New drawing		CHECKED BY, DATE: Pavlov/Matúš			
REVISION-DATE:	CHANGE:	APPROVED BY, DATE: I.Brestovanská	PRODUCT SPECIFICATION: -	DIMENSIONS IN MM UNLESS SPECIFIED	SCALE: NO SCALE
REVISION-DATE: X - DD.MM.YYYY	CHANGE:	PRODUCT NUMBER: X12X-XXD-xxx	DRAWING NUMBER: -	SHEET NO. 1 of 1	
A			THIS DRAWING CONTAINS INFORMATION THAT IS PROPRIETARY TO SYLEX s.r.o AND ANY USE WITHOUT PRIOR WRITTEN PERMISSION IS PROHIBITED		
			SIZE A3		