

10

9

8

7

6

5

4

3

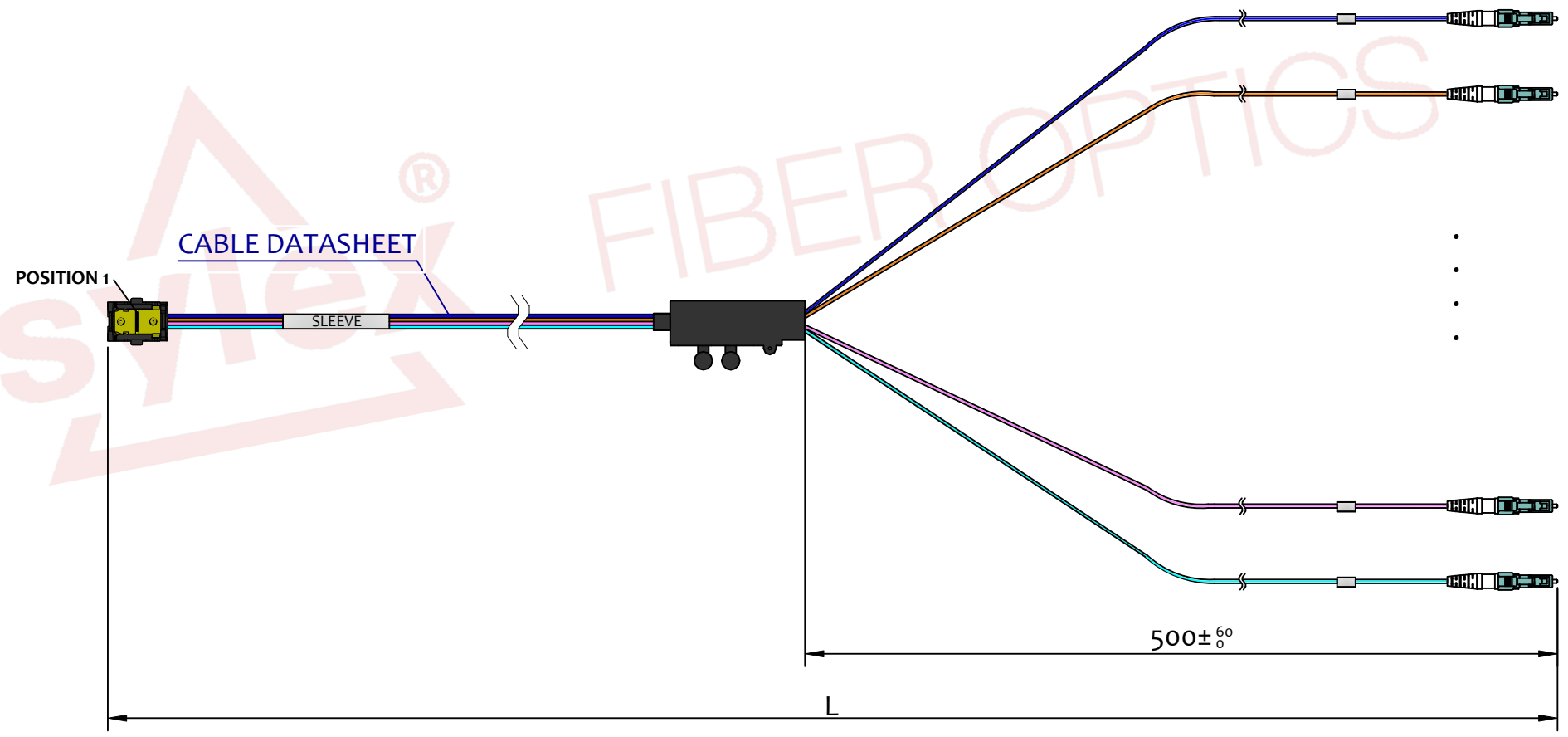
2

1

SIDE A

SIDE B

PRIZM LT	LC
1	1
2	2
3	3
4	4
5	5
6	6
7	7
8	8
9	9
10	10
11	11
12	12



NOTES :

- 1 - DUST CAPS ARE INCLUDED, BUT NOT SHOWN
- 2 - PRIZM LT: OM3, OM4 - IL<2.0dB , 850nm (CONNECTOR VALUE)
LC: OM3, OM4 - IL<0.25dB , 850nm (CONNECTOR VALUE)
RL>30dB , 850nm (GUARANTEED VALUE)

IL CONNECTOR VALUE ACCORDING IEC 61300-3-4 method B
RL CONNECTOR VALUE ACCORDING IEC 61300-3-6
- 3 - CUMULATIVE TEST REPORT OF MEASURED IL, RL VALUES SENT ON DEMAND IN ELECTRONIC FORM
- 4 - ASSEMBLY PACKED IN SEALED PE BAG
BULK PACK IN OUTER CARDBOARD BOX
- 5 - TRACEBILITY LABEL ON THE CABLE CONTAINS SERIAL NUMBER AND ASSEMBLY LENGTH

ORDERING CODE

B12X-LO3-xxx-1

- B 12F
 - X 12F
 - O 12F
 - 3 900um LC CONNECTOR
 - LO 900um LC CONNECTOR
 - LO3 900um LC CONNECTOR
 - xxx cable length [001 = 1m, 0015 = 1.5m]
 - 1 RIBBON PEELABLE
 - O PRIZM LT (low profile housing)
 - L LC/PC *
 - 3 OM3, 4 OM4
 - B On-Board Optics
- * OTHER CONNECTOR TYPES ON REQUEST

ASSEMBLY LENGTH	TOLERANCE
0-1.00m	+0.08 -0.00
+1.01m	+0.11 -0.00

REVISION-DATE: A - 17.03.2020 CHANGE: New drawing	DRAWN BY, DATE: M.Ruzbarsky 2020/10/14	TITLE: 01x PRIZM LT - 12x LC/PC 12F RIBBON FANOUT		
REVISION-DATE: CHANGE:	CHECKED BY, DATE: Matus/Smelh. 2020/10/14	APPROVED BY, DATE: L.Miskerik 2020/10/14	PRODUCT SPECIFICATION: -	DIMENSIONS IN MM UNLESS SPECIFIED
REVISION-DATE: CHANGE:	PRODUCT NUMBER: B12X-LO3-xxx-1	DRAWING NUMBER: 1-W-2012_1_A	SHEET NO. 1 of 1	SCALE: NO SCALE
A		THIS DRAWING CONTAINS INFORMATION THAT IS PROPRIETARY TO SYLEX s.r.o AND ANY USE WITHOUT PRIOR WRITTEN PERMISSION IS PROHIBITED		
		SIZE A3		

10

9

8

7

6

5

4

3

2

1