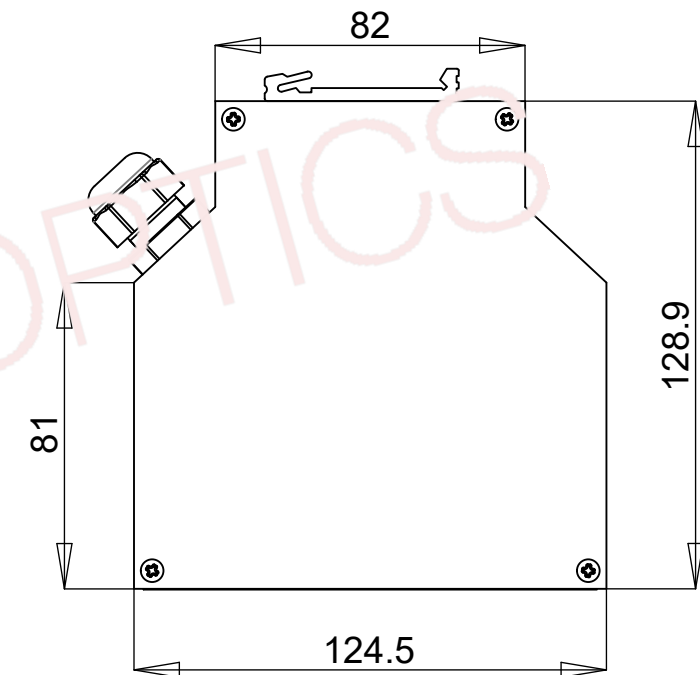
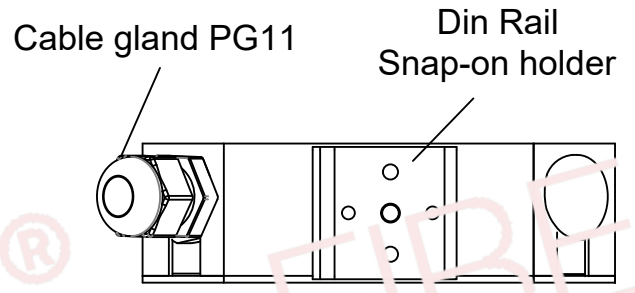


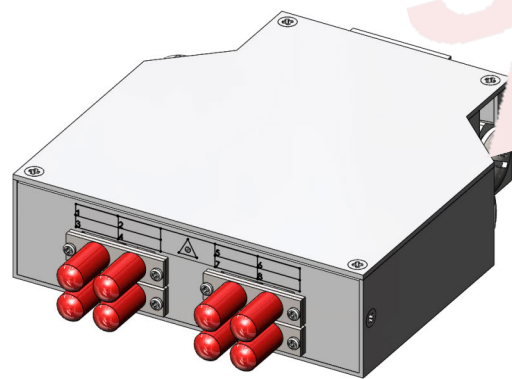
### BASIC DIMENSION (TOP VIEW)



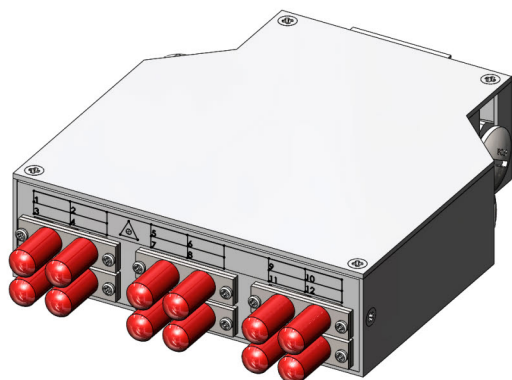
### BASIC DIMENSION (BACK VIEW)



#### DRB 08x ST/PC



#### DRB 12x ST/PC



### ORDERING CODE

**DXXX-XXX-GRY**

- GRY** grey din rail box
- 1** SX adapter plate, **2** DX adapter plate
- X** no pigtail, **S** with pigtail
- T** ST, **X** no adapter
- X** empty, **9** OS2, **3** OM3, **4** OM4
- 04** 04F, **08** 08F, **12** 12F
- D** DIN RAIL BOX

REVISION-DATE: A - 21.10.2019	CHANGE:	DRAWN BY, DATE: M.Ruzbarsky 2019/10/21	TITLE: Din Rail Box - ST adapters		
New drawing		CHECKED BY, DATE: Pavlov/Matúš 2019/10/21			
REVISION-DATE:	CHANGE:	APPROVED BY, DATE: I.Brestovanská 2019/10/21	PRODUCT SPECIFICATION: -	DIMENSIONS IN MM UNLESS SPECIFIED	SCALE: NO SCALE
REVISION-DATE: X - DD.MM.YYYY	CHANGE:	PRODUCT NUMBER: DXXX-TXX-GRY	DRAWING NUMBER: 1-W-7383_1_A	SHEET NO. 1 of 1	
		THIS DRAWING CONTAINS INFORMATION THAT IS PROPRIETARY TO SYLEX s.r.o AND ANY USE WITHOUT PRIOR WRITTEN PERMISSION IS PROHIBITED			SIZE A3