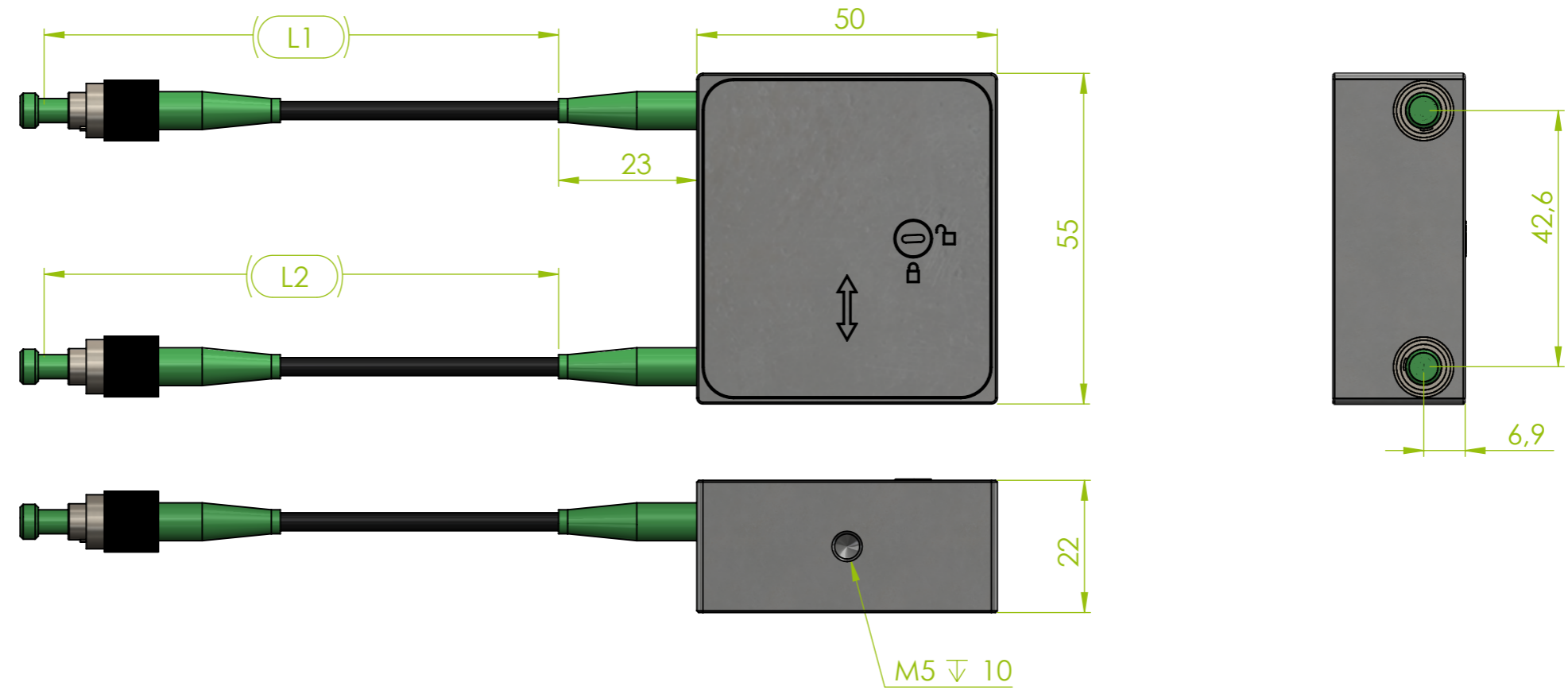


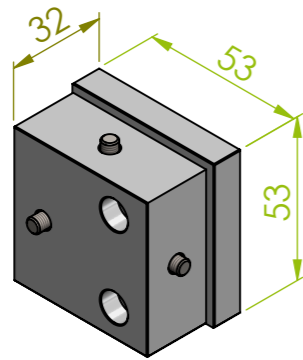
Standard version:



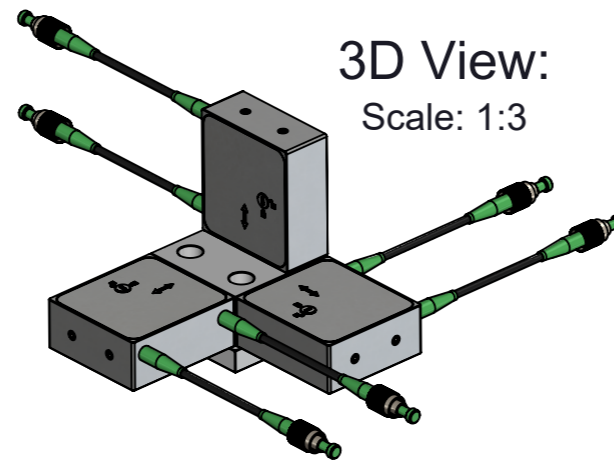
Optional accessories:

- Mounting Brackets:

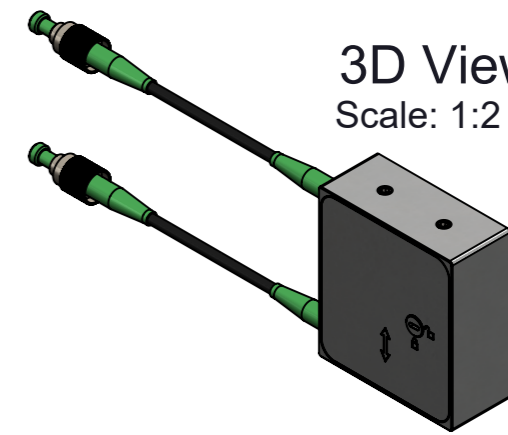
3-axis mounting block



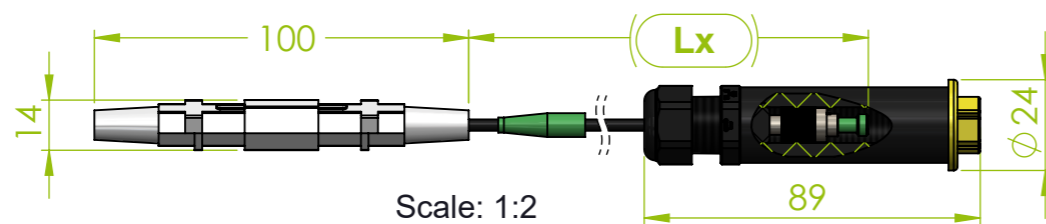
3D View:  
Scale: 1:3



3D View:  
Scale: 1:2



- LCP-03 Longer Dyneema cable pigtail with 1x WSP-02 (Watertight Splice Protection) and with 1x WCP-01 Watertight Connector Protection 1x FC/APC IP67:



Parameter	Length	Tolerance
L1	1000 mm (standard)	±50 mm
L2	1000 mm (standard)	±50 mm
Lx	Optional: Custom-Defined Length	±xx mm

TITLE: <b>SAA-04 Single Axis Accelerometer</b>			
REVISION: <b>A</b>	SCALE: <b>1:1</b>	DRAWN BY, DATE: Filip Klema 13.10.2021	
	STATUS: <b>In Work</b>	CHECKED BY, DATE: Branislav Pikus 04.04.2022	
	DIMENSIONS IN MM (UNLESS SPECIFIED)	APPROVED BY, DATE: Tomáš Salát 04.04.2022	
NAME OF CAD FILE: SAA-04 WEB	PRODUCT NUMBER: F-ACC-100-0TX-001/xx/xxxx	DRAWING NUMBER: SAA-04 WEB	SHEET No: 1 of 1
THIS DRAWING CONTAINS INFORMATION THAT IS PROPERTY OF SYLEX s.r.o AND SHOULD NOT BE USED WITHOUT WRITTEN PERMISSION			SIZE A3