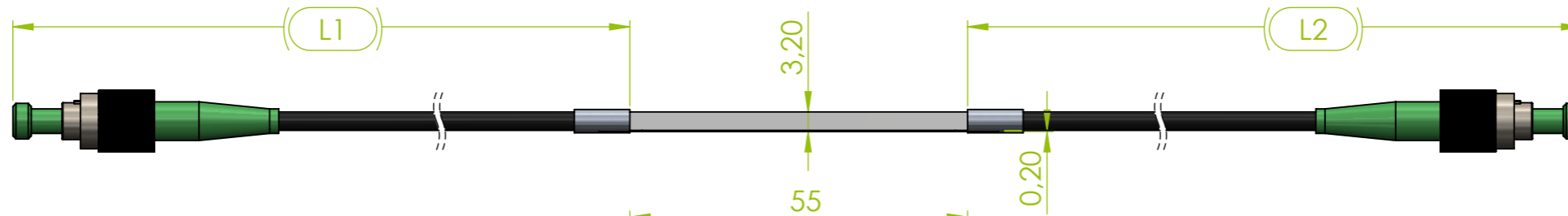
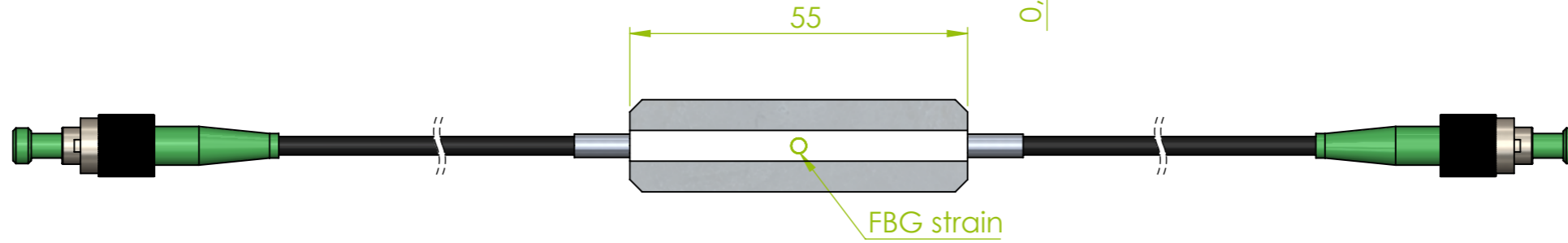


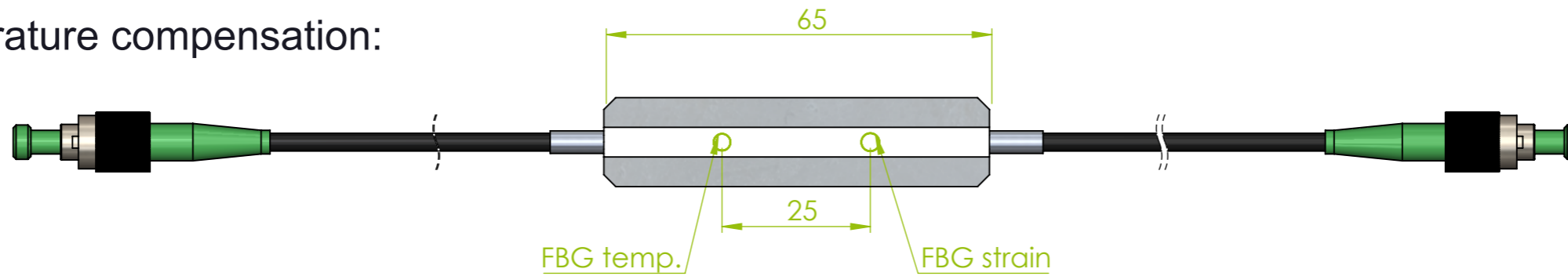
Standard version:



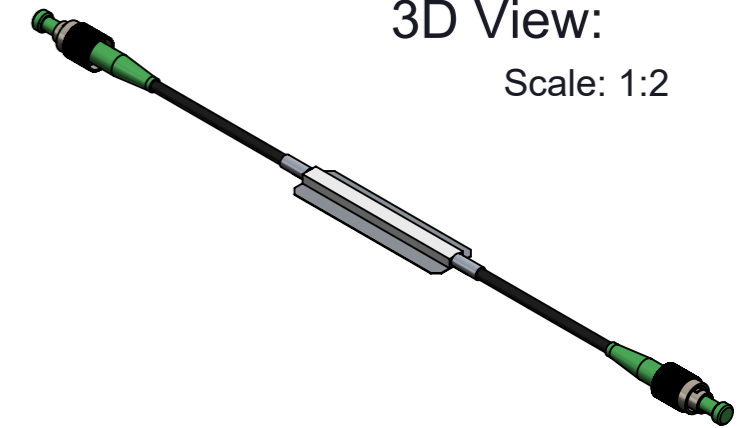
Strain:



Strain with temperature compensation:

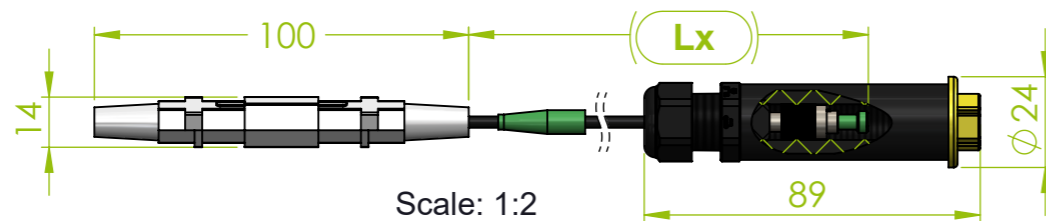


3D View:
Scale: 1:2



Optional accessories:

- LCP-03 Longer Dyneema cable pigtail with 1x WSP-02 (Watertight Splice Protection) and with 1x WCP-01 Watertight Connector Protection 1x FC/APC IP67:



Scale: 1:2

Parameter	Length	Tolerance
L1	1000 mm (standard)	±50 mm
L2	1000 mm (standard)	±50 mm
Lg	NA	±2 mm
Lx	Optional: Custom-Defined Length	±xx mm

TITLE: SWA-00 Spot weldable single strain sensor			
REVISION: 0	SCALE: 1:1	DRAWN BY, DATE: Branislav Pikus 16.12.2021	
	STATUS: Approve by SYLEX	CHECKED BY, DATE: Branislav Pikus 24.01.2022	
	DIMENSIONS IN MM (UNLESS SPECIFIED)	APPROVED BY, DATE: Tomáš Salát 24.01.2022	
NAME OF CAD FILE: SWA-00 WEB	PRODUCT NUMBER: F-SWA-00X-xxx-xxx/xx/xxxx	DRAWING NUMBER: SWA-00 WEB	SHEET No: 1 of 1
THIS DRAWING CONTAINS INFORMATION THAT IS PROPERTY OF SYLEX s.r.o AND SHOULD NOT BE USED WITHOUT WRITTEN PERMISSION			SIZE A3