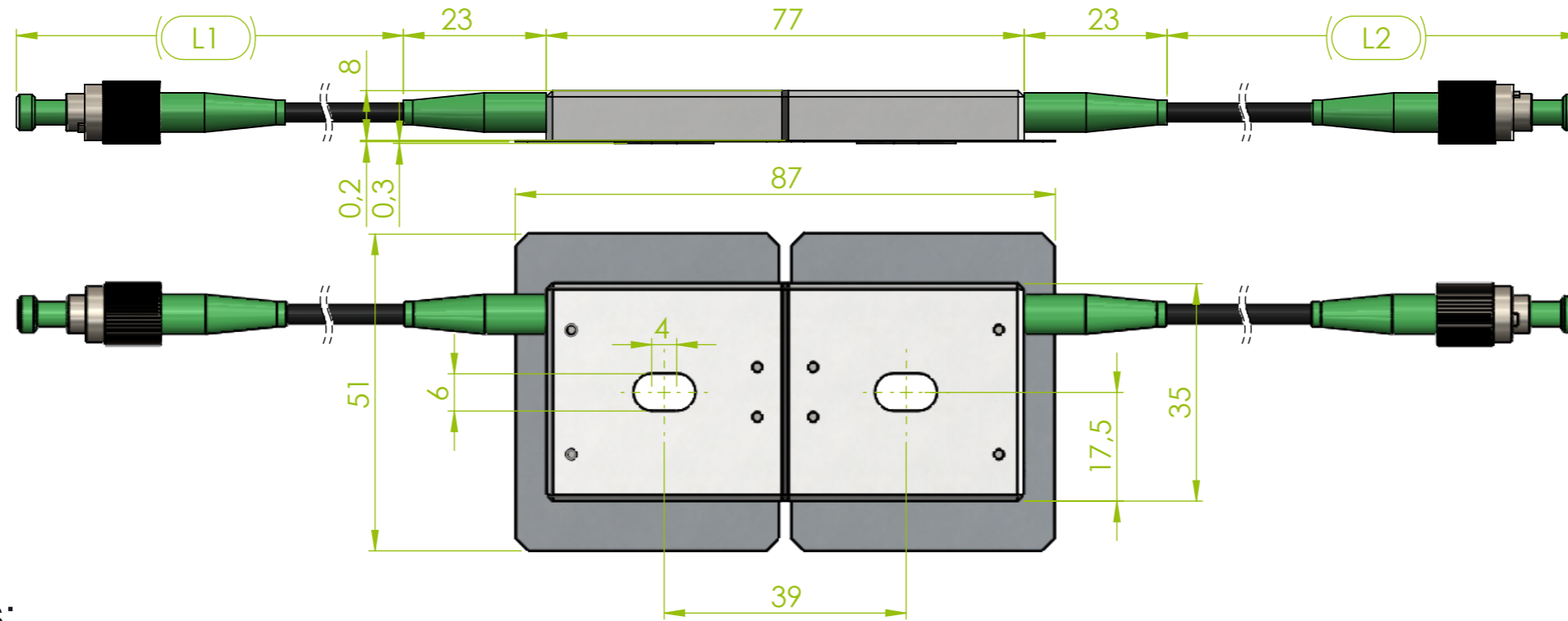
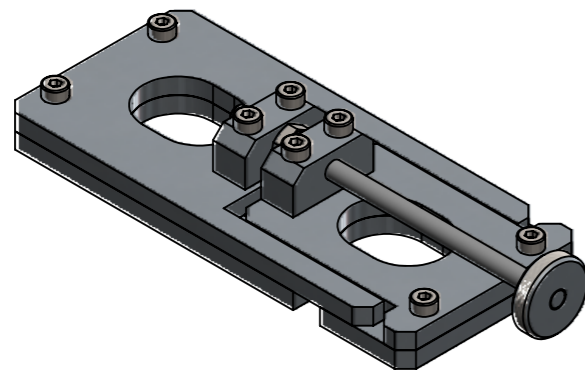


Standard version:

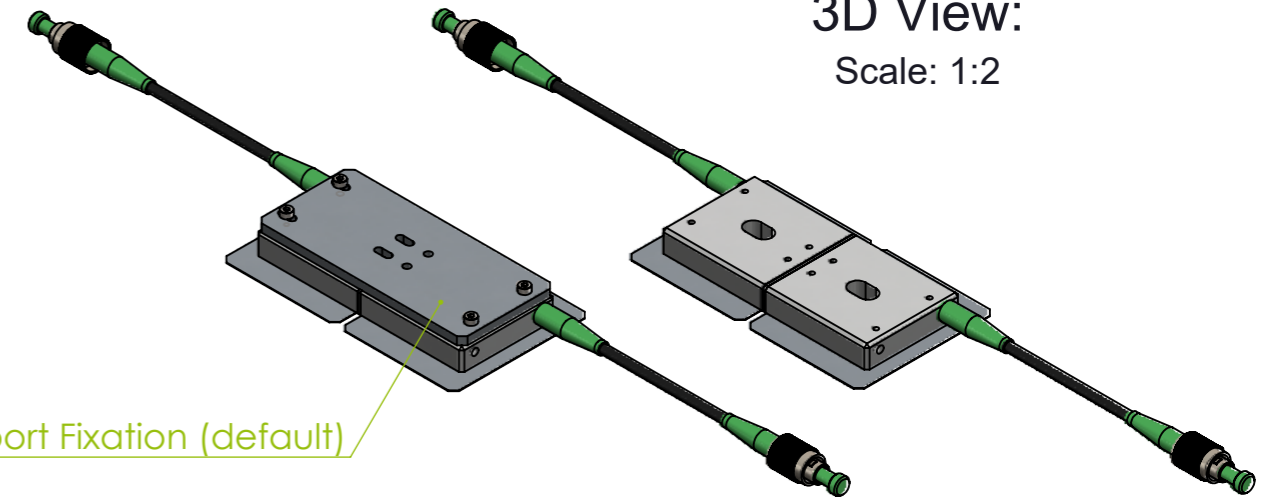
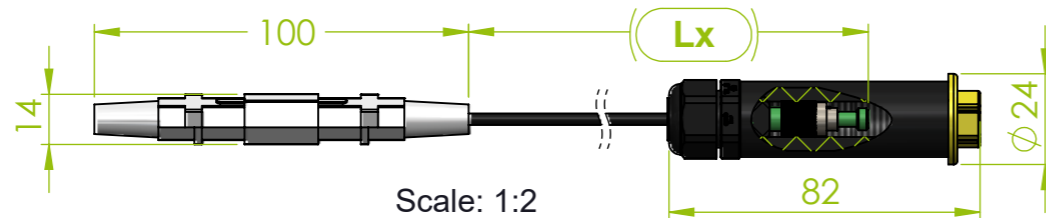


Optional accessories:

- PST-02 Pre-strain setup tool:



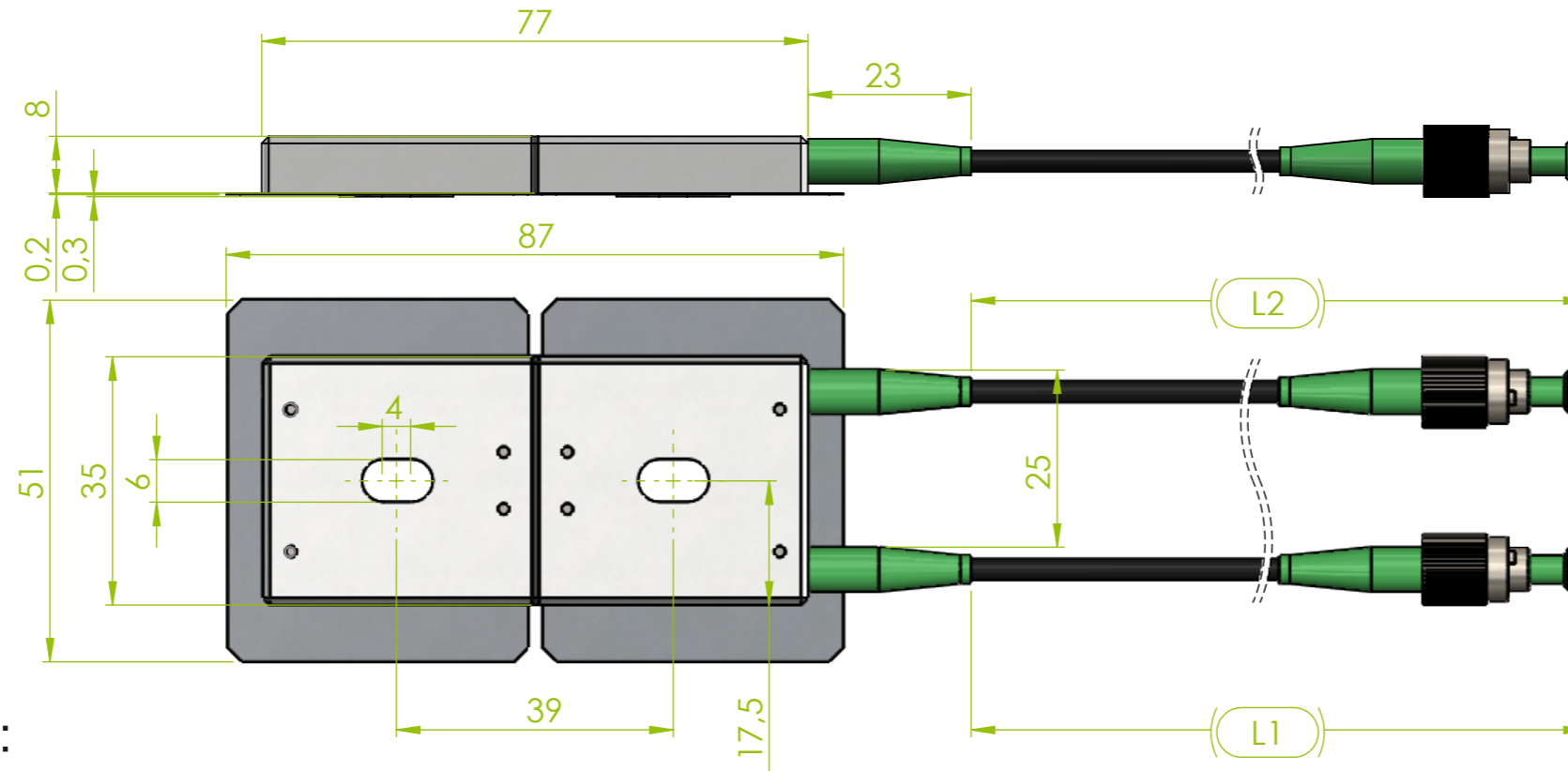
- LCP-03 Longer Dyneema cable pigtail with 1x WSP-02 (Watertight Splice Protection) and with 1x WCP-01 Watertight Connector Protection 1x FC/APC IP67:



Parameter	Length	Tolerance
L1	1000 mm (standard)	±50 mm
L2	1000 mm (standard)	±50 mm
Lg	30 mm	±2 mm
Lx	Optional: Custom-Defined Length	±xx mm

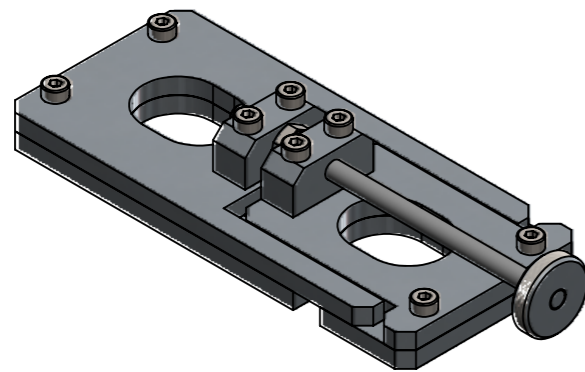
TITLE: SWS-02 WEB_C			
REVISION: C	SCALE: 1:1	DRAWN BY, DATE: Martin Németh 11.07.2024	
	STATUS: In Work	CHECKED BY, DATE: Branislav Pikus 11.07.2024	
	DIMENSIONS IN MM (UNLESS SPECIFIED)	APPROVED BY, DATE: Tomáš Salát 11.07.2024	
NAME OF CAD FILE: SWS-02 WEB	PRODUCT NUMBER: F-SWS-002-xxx-xxx/xx/xxxx	DRAWING NUMBER: SWS-02 WEB	SHEET No: 1 of 2
THIS DRAWING CONTAINS INFORMATION THAT IS PROPERTY OF SYLEX s.r.o AND SHOULD NOT BE USED WITHOUT WRITTEN PERMISSION			SIZE: A3

Twin pigtail version:



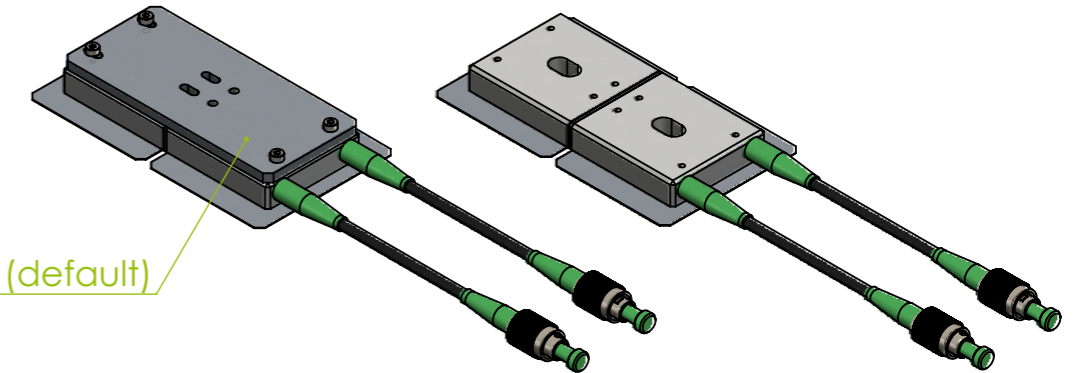
Optional accessories:

- PST-02 Pre-strain setup tool:

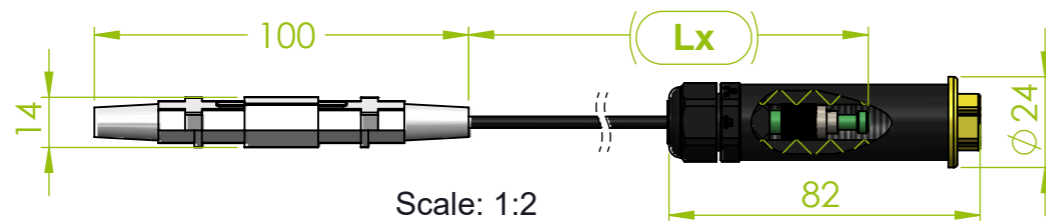


3D View:
Scale: 1:2

Transport Fixation (default)



- LCP-03 Longer Dyneema cable pigtail with 1x WSP-02 (Watertight Splice Protection) and with 1x WCP-01 Watertight Connector Protection 1x FC/APC IP67:



Parameter	Length	Tolerance
L1	1000 mm (standard)	±50 mm
L2	1000 mm (standard)	±50 mm
Lg	30 mm	±2 mm
Lx	Optional: Custom-Defined Length	±xx mm

TITLE: SWS-02 WEB_C			
REVISION: C	SCALE: 1:1	DRAWN BY, DATE: Martin Németh 11.07.2024	
	STATUS: In Work	CHECKED BY, DATE: Branislav Pikus 11.07.2024	
	DIMENSIONS IN MM (UNLESS SPECIFIED)	APPROVED BY, DATE: Tomáš Salát 11.07.2024	
NAME OF CAD FILE: SWS-02 WEB	PRODUCT NUMBER: F-SWS-002-xxx-xxx/xx/xxxx	DRAWING NUMBER: SWS-02 WEB	SHEET No: 2 of 2
THIS DRAWING CONTAINS INFORMATION THAT IS PROPERTY OF SYLEX s.r.o AND SHOULD NOT BE USED WITHOUT WRITTEN PERMISSION			SIZE: A3