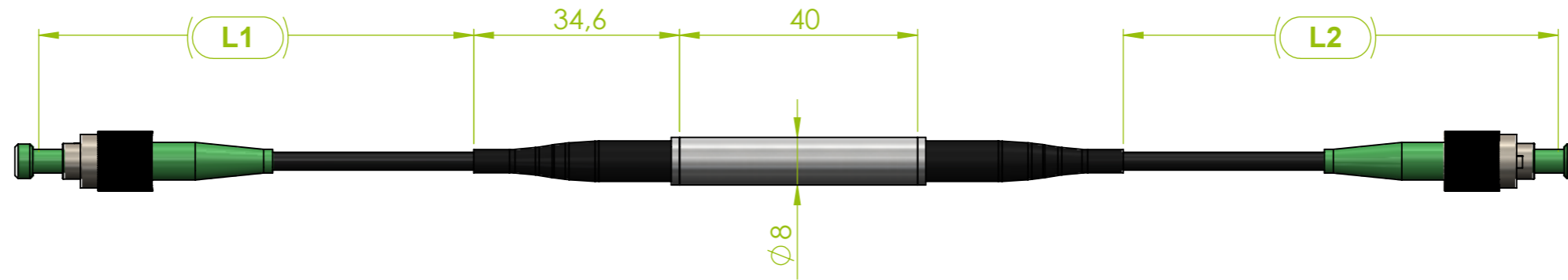
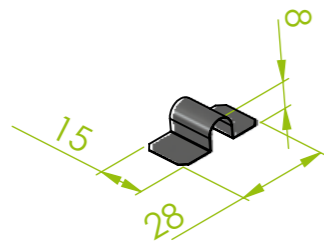


Standard version:

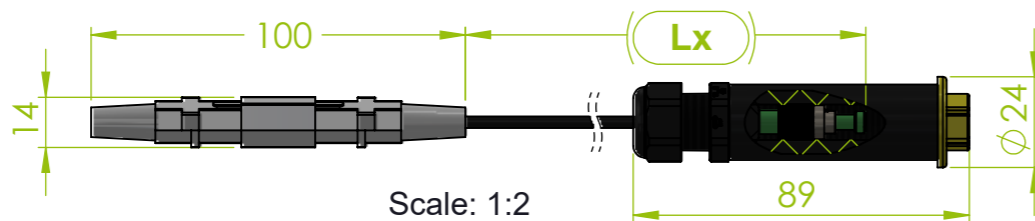


Optional accessories:

- TPS-01 Temperature probe spot-weldable plate:



- LCP-03 Longer Dyneema cable pigtail with 1x WSP-02 (Watertight Splice Protection) and with 1x WCP-01 Watertight Connector Protection 1x FC/APC IP67:



Parameter	Length	Tolerance
L1	1000 mm (standard)	±50 mm
L2	1000 mm (standard)	±50 mm
Lg	NA	±2 mm
Lx	Optional: Custom-Defined Length	±xx mm

TITLE: TP-03 Temperature Sensor			
REVISION: <b>B</b>	SCALE: 1:1	DRAWN BY, DATE: Martin Gavenda 11.03.2019	
	STATUS: In Work	CHECKED BY, DATE: Branislav Pikus 11.03.2019	
	DIMENSIONS IN MM (UNLESS SPECIFIED)	APPROVED BY, DATE: Tomáš Salát 11.03.2019	
NAME OF CAD FILE: TP-03 WEB	PRODUCT NUMBER: F-TPX-003-xxx-xxx/xx/xxxx	DRAWING NUMBER: TP-03 WEB	SHEET No: 1 of 1
THIS DRAWING CONTAINS INFORMATION THAT IS PROPERTY OF SYLEX s.r.o AND SHOULD NOT BE USED WITHOUT WRITTEN PERMISSION			SIZE: A3