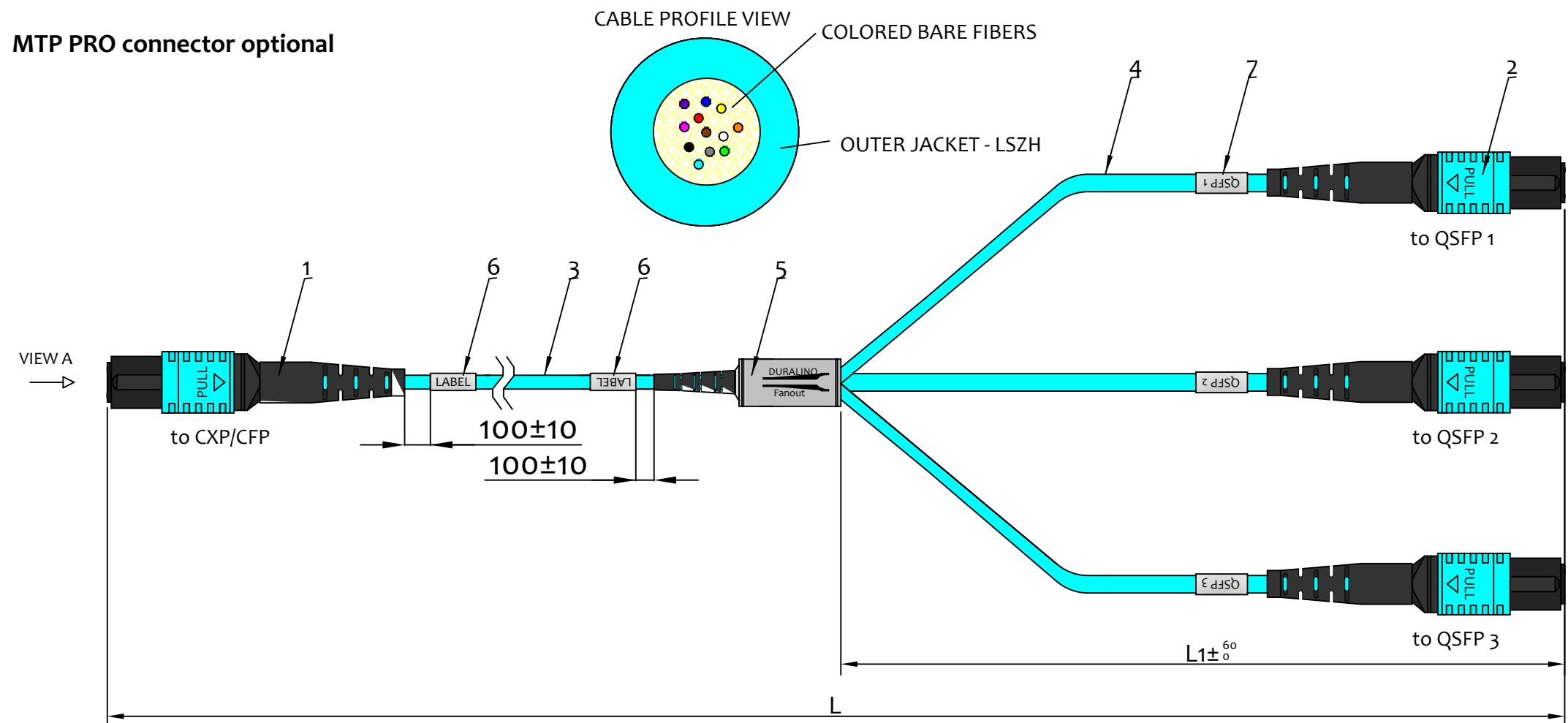


MTP PRO connector optional



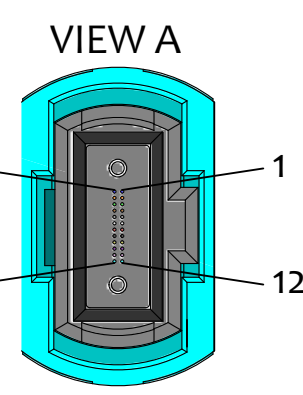
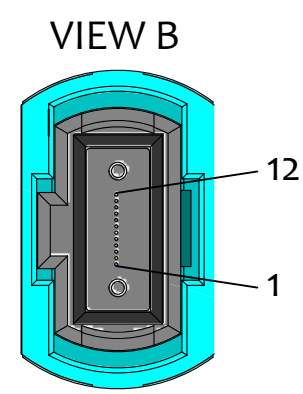
CONNECTION TABLE

MTP(F) 24F CONNECTOR	MTP(F) 12F CONNECTOR		
	SIDE A	QSFP 1	QSFP 2
1	12		
2	11		
3	10		
4	9		
5		12	
6		11	
7		10	
8		9	
9			12
10			11
11			10
12			9
13	1		
14	2		
15	3		
16	4		
17		1	
18		2	
19		3	
20		4	
21			1
22			2
23			3
24			4

ORDERING CODE	L1[m]	ITEM DESCRIPTION:
QxxxMFAMF53D38-24-3x8	0.5	MTP CXP/CFP to 3xQSFP OM3 fanout, free tails 0,5m
QxxxMFBMF53D38-24-3x8	1	MTP CXP/CFP to 3xQSFP OM3 fanout, free tails 1m
QxxxMFCMF53D38-24-3x8	1.5	MTP CXP/CFP to 3xQSFP OM3 fanout, free tails 1,5m
QxxxMFDMF53D38-24-3x8	2	MTP CXP/CFP to 3xQSFP OM3 fanout, free tails 2m
QxxxMFAMF54D38-24-3x8	0.5	MTP CXP/CFP to 3xQSFP OM4 fanout, free tails 0,5m
QxxxMFBMF54D38-24-3x8	1	MTP CXP/CFP to 3xQSFP OM4 fanout, free tails 1m
QxxxMFCMF54D38-24-3x8	1.5	MTP CXP/CFP to 3xQSFP OM4 fanout, free tails 1,5m
QxxxMFDMF54D38-24-3x8	2	MTP CXP/CFP to 3xQSFP OM4 fanout, free tails 2m

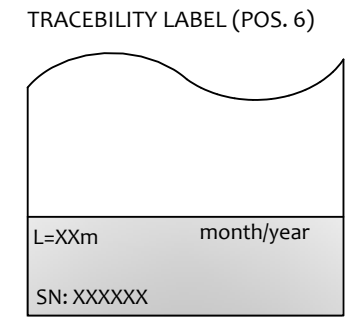
XXX in the PN represents length of assembly and varies for each length

- NOTES:**
- DUST CAPS ARE INCLUDED, BUT NOT SHOWN
 - MTP - IL<0.35dB, RL>20dB at 850nm & 1300nm
 - CUMULATIVE TEST REPORT SYX-CTRT-01 OF MEASURED IL AND RL VALUES SENT ON DEMAND IN ELECTRONIC FORM
 - VISUAL ASPECT CHECK ACCORDING TO IEC 61300-3-35. END FACE GEOMETRY ACCORDING TO TELCORDIA GR-1435
 - ASSEMBLY WITH LENGTH BELOW 50MTRS PACKED IN SEALED PE BAG, BULK PACK IN OUTER CARDBOARD BOX. LONGER ASSEMBLY THEN 50MTRS COILED ON CARDBOARD REEL, INSERTED IN CARDBOARD BOX ACCORDING TO SYLEX STANDARD 1-S-0011
 - SYLEX-SX-O LABEL ON PRODUCT PACKAGING AND OUTER CARDBOARD BOX



LENGHT TOLERANCE

Lenght interval(m)	Tolerance(m)
0 - 0,99	+ 0,06 - 0
1 - 7,99	+ 0,11 - 0
8 - 19,99	+ 0,18 - 0
20 - 49,99	+ 0,23 - 0
50 - 99,99	+ 0,50 - 0
100 - 199,99	+ 1,00 - 0
200 - 299,99	+ 1,50 - 0
> 300	+ 3,00 - 0



BOM

NO:	DESCRIPTION	QTY
1	MTP 24F MM FEMALE CONNETOR	1
2	MTP 12F MM FEMALE CONNETOR	3
3	ROUND CABLE 24F MM 3.8mm	L
4	TUBING 2.8mm	3
5	DURALINO FANOUT S	1
6	TRACEABILITY LABEL 25x36mm	2
7	INFORMATION MARKING SLEEVE	3

REVISION-DATE: A - 21.03.2013 New drawing	CHANGE:	DRAWN BY, DATE: M.Ruzbarsky 2013/03/21	TITLE: MTP CXP/CFP to 3xQSFP OM3/OM4 fanout	
REVISION-DATE: X - DD.MM.YYYY XXX	CHANGE:	CHECKED BY, DATE: E.Koza XXXX/XX/XX	APPROVED BY, DATE: I.Golian XXXX/XX/XX	PRODUCT SPECIFICATION: ID: 832
REVISION-DATE: X - DD.MM.YYYY XXX	CHANGE:	PRODUCT NUMBER: 1-610-610-240-xFx/xM/xxxx	DIMENSIONS IN MM UNLESS SPECIFIED	SCALE: NO SCALE
THIS DRAWING CONTAINS INFORMATION THAT IS PROPRIETARY TO SYLEX s.r.o AND SHOULD NOT BE USED WITHOUT WRITTEN PERMISSION			DRAWING NUMBER: 1-S-1987_1_A	SHEET NO. 1 of 1
A			SIZE A3	