

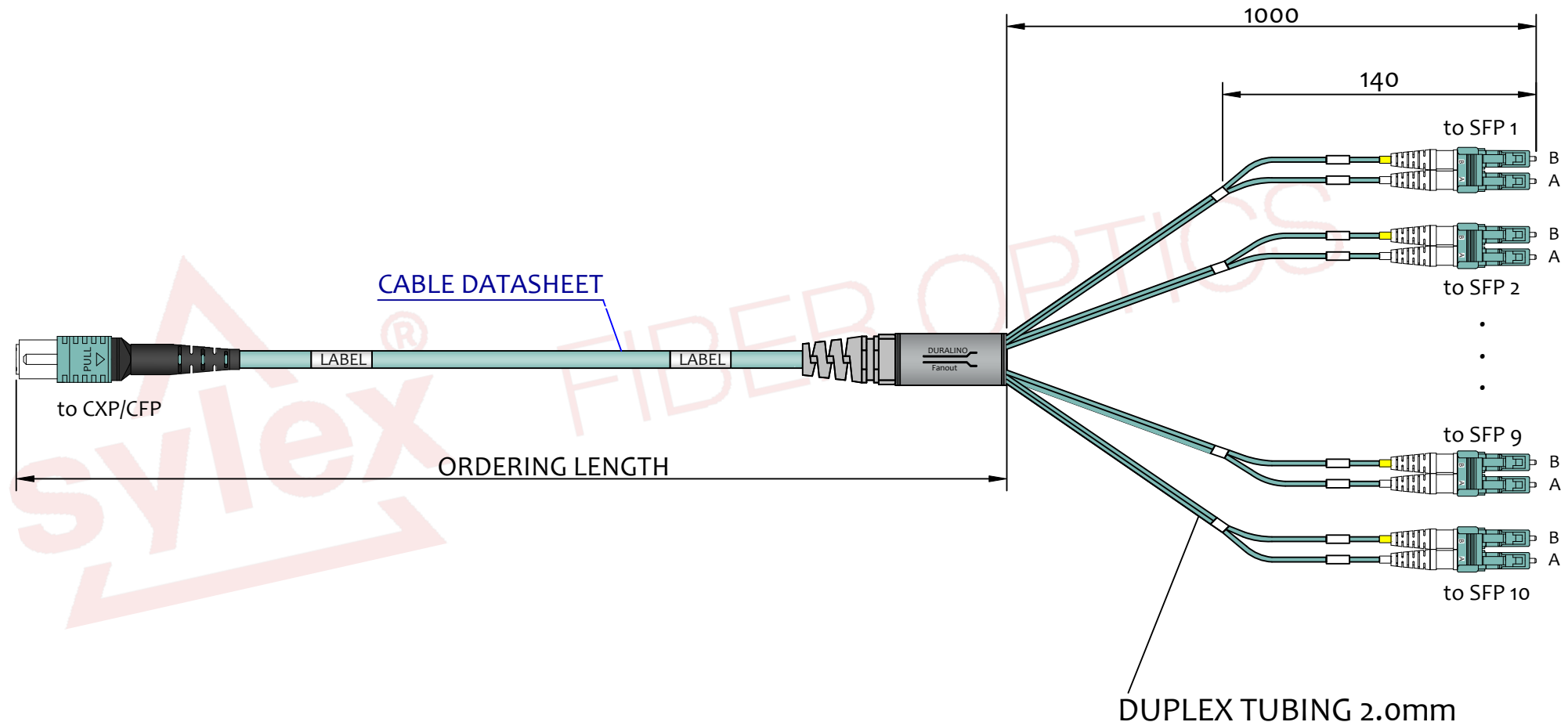
MTP PRO connector optional

CONNECTION TABLE

CONNECTION TABLE	
MTP	LC
1	
2	1B
3	2B
4	3B
5	4B
6	5B
7	6B
8	7B
9	8B
10	9B
11	10B
12	

CONNECTION TABLE

CONNECTION TABLE	
MTP	LC
13	
14	1A
15	2A
16	3A
17	4A
18	5A
19	6A
20	7A
21	8A
22	9A
23	10A
24	



CABLE DATASHEET

ORDERING CODE

X20X-XXD-xxx-Q

- Q CXP/SFP connection
 - xxx cable length [050 = 50m, 001 = 1m]
 - D duplex tubing
 - L LC/PC
 - G MTP(F) 24F, K MTP(F) PRO 24F
 - 3 OM3, 4 OM4
 - 20 20F
 - F fanout, H fanout with grommet *
- * SHOWN TRUNK VERSION WITH GROMMET [H]

NOTES :

- 1 - DUST CAPS ARE INCLUDED, BUT NOT SHOWN
- 2 - CUMULATIVE TEST REPORT OF MEASURED IL AND RL VALUES SENT ON DEMAND IN ELECTRONIC FORM
- 3 - LC: OM3, OM4- IL<0.25dB , RL>30dB , 850nm & 1300nm
MTP: OM3, OM4 - IL<0.35dB , RL>20dB , 850nm & 1300nm
IL CONNECTOR VALUE ACCORDING IEC 61300-3-4 method B
RL CONNECTOR VALUE ACCORDING IEC 61300-3-6
- 4 - VISUAL ASPECT CHECK ACCORDING TO IEC 61300-3-35.
END FACE GEOMETRY ACCORDING TO TELCORDIA 63267-3-31
- 5 - ASSEMBLY WITH LENGTH BELOW 50MTRS PACKED IN SEALED PE BAG,
BULK PACK IN OUTER CARDBOARD BOX.
LONGER ASSEMBLY THEN 50MTRS COILED ON CARDBOARD REEL,
INSERTED IN CARDBOARD BOX ACCORDING TO SYLEX STANDARD [1-S-0011](#)
- 6 - CABLE LENGTH TOLERANCES AND FANOUT LENGTH TOLERANCES
ACCORDING TO SYLEX STANDARD [1-S-8000](#)
- 7 - NO PULLING SYSTEM IS APPLIED. AVAILABLE ON DEMAND
- 8 - TRACEBILITY LABEL ON THE CABLE CONTAINS SERIAL NUMBER,
DATE OF PRODUCTION AND ASSEMBLY LENGTH

REVISION-DATE: A - 12.05.2020	CHANGE:	DRAWN BY, DATE: M.Ruzbarsky 2020/05/12	TITLE: 24f 1xMTP - 10xLCD Duralino fanout CXP/SFP		
New drawing		CHECKED BY, DATE: Pavlov/Matúš	PRODUCT SPECIFICATION: -		
REVISION-DATE:	CHANGE:	APPROVED BY, DATE: I.Brestovanská	DIMENSIONS IN MM UNLESS SPECIFIED	SCALE: NO SCALE	
REVISION-DATE: X - DD.MM.YYYY	CHANGE:	PRODUCT NUMBER: X20X-XXD-xxx-Q	DRAWING NUMBER: 1-W-1986_1_A	SHEET NO. 1 of 1	
			THIS DRAWING CONTAINS INFORMATION THAT IS PROPRIETARY TO SYLEX s.r.o AND ANY USE WITHOUT PRIOR WRITTEN PERMISSION IS PROHIBITED		
A			SIZE A3		